

## PARTS LIST

Code R84530001-1  
Description CHASSIS

Start Date 12/4/2012  
End Date 1/1/3000  
Table E8453C001-01

Pos.	Code	Price	Q.ty per pck.	Qty.	Description	Alternative	Price	G	P
001	7.400.0146	0	1	1	KATLA INSTRUCTION MANUAL		0	0	0
002	3.106.0016	24.3	1	1	CHECK VALVE 1/4FF WITH SPRING(3020009)		0	0	0
003	3.412.0030	132.5	1	1	VALVE		0	0	0
004	4.413.0055	0	1	1	COVER DISC GV KATLA -BLACK-		0	0	0
005	3.401.0052	4.6	5	1	DOUBLE-POLE SWITCH - RED		0	0	0
006	3.401.0112	6.95	3	1	BIPOLAR SWITCH 1-0-2 B419C11200+C BLACK		0	0	0
007	3.499.0390	0	1	1	WARNING LIGHT D.6 230V - ETNA		0	0	0
008	3.499.0391	0	1	1	WARNING LIGHT D.6 LED 12/24V -ETNA		0	0	0
009	3.099.0960	3.85	6	1	STEAM ADJUSTMENT KNOB (1 600360)		0	0	0
010	3.107.0015	31.7	1	1	FLANGED PRESSURE GAUGE D.40 0-10BAR WITH BRACKET AND		0	0	0
011	3.405.0085	23.2	1	1	CORE OF ILME PLUG IRON-ARMS (3007007)		0	0	0
012	6.405.0187	94.5	1	1	KIT SOCKET SPARE		0	0	0
013	5.409.0048	8.4	3	1	SENSON LEVEL ASS. + HOSES+ JOIN		0	0	0
014	3.100.0349	12.45	2	1	ELBOW JOINT 90' BRASS M1/4G FOR STEAM (RT69K1406V-ST)		0	0	0
015	3.403.0157	77.25	1	1	PRESSURE SWITCH 9 BAR		0	0	0
016	3.004.0184	37.65	1	1	COPPER WASHER		0	0	0
017	3.499.0477	185.4	1	1	RESISTANCE 3300W 230V SINGLE PHASE FOR GV 3,3 (R010569755)		0	0	0
019	5.409.0258	0	1	1	BOILER ASSEMBLY M 6-9BAR W/THREADED RESISTANCE		0	0	0
020	4.408.0189	1.25	18	6	INSULATING STRIP X 6018 35x30FORO D.10 (1600610)		0	0	0
021	3.100.0221	4.8	5	2	ELBOW 1/4 M - 1/4" F		0	0	0
022	3.100.0360	3	7	1	BRASS REDUCTION 3/8 M. CONIC 1/4F		0	0	0
023	4.407.0082	23.65	1	1	INOX HOSE 1/4 GAS		0	0	0
024	4.408.0254	5.65	4	1	CAP		0	0	0
025	3.099.1050	23.2	1	1	SPHERE VALVE		0	0	0
026	4.405.0018	43.91	1	1	IRON FRAME 25x25 L=6mm	4.408.0287	1.25	1	1

# PARTS LIST

Code R84530001-1

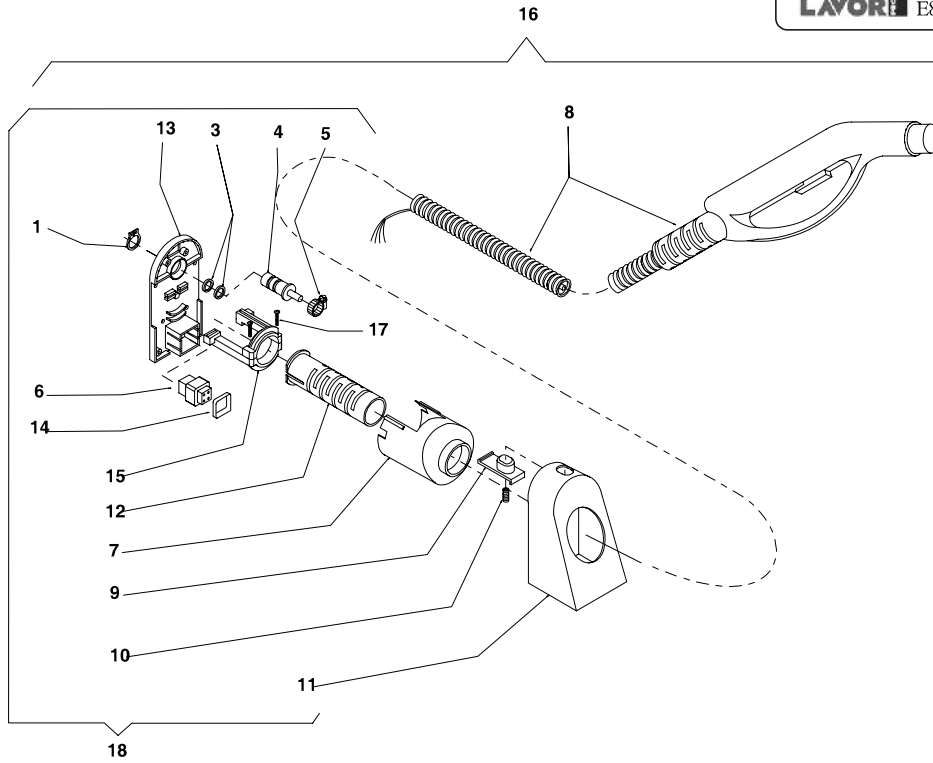
Start Date 12/4/2012

Description CHASSIS

End Date 1/1/3000

Table E8453C001-01

Pos.	Code	Price	Q.ty per pck.	Qty.	Description	Alternative	Price	Q
027	3.100.0348	11.8	2	5	CONNECTION 90° BRASS 1/8 G EPDM (E2004047E)		0	0
028	4.408.0369	63.3	1	1	INSULATING COVER FOR BOILERM 6-9BAR W/THREADED		0	0
029	3.100.0416	8.25	3	1	SPROCKET 1/2 F BRASS (3026053)		0	0
030	3.106.0027	97.8	1	1	SAFETY VALVE G3/8 10,8bar -20/+200°C (D7/CS)		0	0
031	3.100.0033	11.85	2	1	ELBOW M/F 3/8 OT		0	0
032	3.403.0131	11.05	2	1	THERMOSTAT WITH RESET WITH SCREW (3012015)		0	0
033	4.407.0167	0	1	1	HANDLE		0	0
034	3.551.0036	27.58	1	3	DETERGENT PUMP ULKA	3.551.0014	46.25	1
035	3.106.0019	24.3	1	3	BREATHER SS22 ULKA		0	0
036	4.415.0023	103	1	1	CONTROL BOARD FOR BOILER GV ETNA/KATLA		0	0
037	3.751.0060	0	1	1	TANK		0	0
038	5.413.0030	0	1	1	SUPPORT FOR 5LT TANK		0	0
039	3.006.0058	11.6	2	1	WHEEL PIV. D.60 H82 M10x20 XECO VERSION (A122211TGN)		0	0
040	6.205.0069	23.2	1	1	KIT WHEELS FOR TAURUS/DOMUS/ZEUS/APOLLO		0	0
041	5.413.0027	82.85	1	2	SUPPORT FOR 5LT TANK		0	0
042	3.601.0070	22.75	1	1	PLASTIC TANK 5LT. 6003 (3043080)		0	0
043	3.403.0155	55.65	1	1	WATER LEVEL SENSOR		0	0
044	4.412.0107	0	1	1	COMPLETE CABLE FOR DASHBORAD KATLA 230 V		0	0
045	4.612.0052	23.2	1	1	CABLE H05VV-F 3X2.5 L.6000mmw/o PLUG		0	0
046	4.412.0102	0	1	1	COMPLETE CABLE FOR KATLA 230 V		0	0
047	3.099.1592	61.3	1	1	FAN 60X60X25 230V AC		0	0
048	4.508.1082	11.6	2	1	FILTER SUPPORT		0	0
049	3.100.0211	5.55	4	4	STRAIGHT CONNECTION 1/4 F SPROCKET D.7 BRASS		0	0
050	3.402.0063	36.05	1	1	RELAY 12V 16A		0	0
052	3.100.0186	5.9	4	4	COUPLING 1/4 D.6 L ROUND BLACKPLASTIC (3026263)		0	0

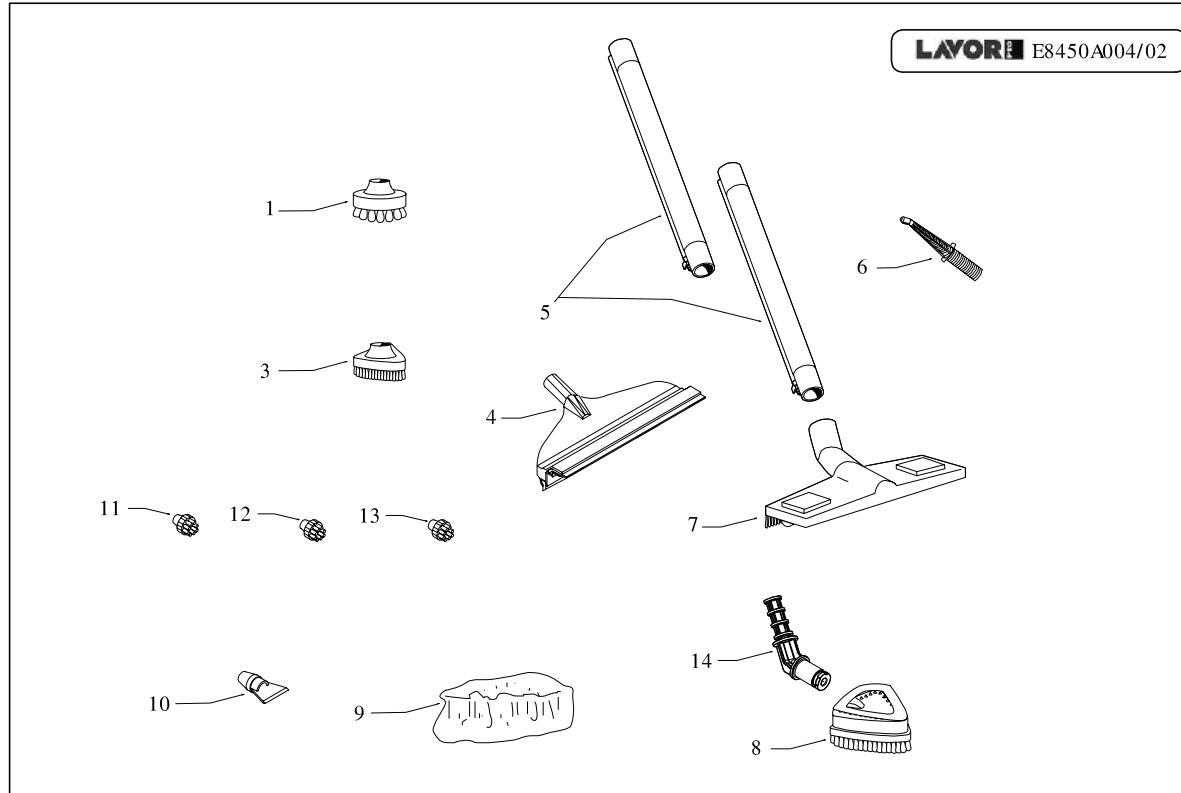


# PARTS LIST

Code R54090256-1  
 Description COMPLETE GUN ASSEMBLY

Start Date 12/4/2012  
 End Date 1/1/3000  
 Table E8450PI03-02

Pos.	Code	Price	Q.ty per pck.	Qty.	Description	Alternative	Price	Q
001	3.099.0984	1.25	18	1	SEEGER RING FOR SHAFT D.14 (3029462)		0	0
003	3.200.0179	1.25	18	2	O-RING WASHER 9.25x1.78 VITONX 6003 (3024239)		0	0
004	4.406.0016	23.2	1	1	BRASS NOZZLE (1603570)		0	0
006	3.405.0086	23.2	1	1	CORE OF ILME PLUG IRON-ARMS (3007003)		0	0
007	4.408.0256	8.8	3	1	STEAM JOINT FOR STEAM PLUG		0	0
008	3.753.0112	128.75	1	1	COMPLETE STEAM HANDLE WITH 3MT HOSE WITHOUT PLUG		0	0
009	4.408.0203	2.7	8	1	HOOK BUTTON (3001077)		0	0
010	4.407.0057	2.5	15	1	SPRING FOR BUTTON (3001084)		0	0
011	4.408.0201	3.85	6	1	CASING PLUG (3001074)		0	0
012	4.408.0048	4.9	5	1	CABLE		0	0
013	4.408.0232	10.75	2	1	STEAM PLUG		0	0
014	4.405.0018	43.91	1	1	IRON FRAME 25x25 L=6mm	4.408.0287	1.25	1
015	4.408.0255	2.5	17	2	INNER CASE HOLDER FOR PLUG		0	0
016	5.409.0256	141.9	1	1	COMPLETE GUN WITH 3MT HOSE		0	0
017	3.002.0699	1.25	18	2	SCREW 3,5X16 TC/TC INOX UNI 6954		0	0
018	5.409.0092	50.2	1	1	KIT STEAM PLUG		0	0



**LAVORWASH**  
**SERVICE**

**PARTS LIST**

*Code* R8453A001-1  
*Description* ACCESSORIES

*Start Date* 12/4/2012  
*End Date* 1/1/3000  
*Table* E8450A004-02

Pos.	Code	Price	Q.ty per pck.	Qty.	Description	Alternative	Price	G	p
001	3.754.0234	9.3	3	1	NYLON BRISTLES BRUSH D.50		0	0	0
003	6.402.0096	10.3	2	1	TRIANGULAR BRUSH		0	0	0
004	3.754.0235	30.9	1	1	STEAM GLASS WIPER		0	0	0
005	3.753.0111	20.6	1	2	STEAM EXTENSION PIPE		0	0	0
006	3.754.0230	12.4	2	1	TURBO LANCE WITH NOZZLE		0	0	0
007	3.754.0228	41.2	1	1	RECTANGULAR BRUSH		0	0	0
008	3.754.0229	28.35	1	1	TRIANGULAR BRUSH		0	0	0
009	3.099.0126	11.6	2	1	TOWEL WIPE FOR INDUSTRIAL USE(22x22cm.with elastic band)		0	0	0
010	6.402.0095	5.8	4	1	BLACK PLASTIC SCRAPER L.50		0	0	0
011	3.754.0231	4.65	5	1	NYLON BRISTLES BRUSH D.28		0	0	0
012	3.754.0232	6.7	4	1	BRASS BRISTLES BRUSH D.28		0	0	0
013	3.754.0233	6.7	4	1	STEEL BRISTLES BRUSH D.28		0	0	0
014	3.754.0250	8.8	3	1	ELBOW JOINT FOR TRIANGULAR/RECTANGULAR BRUSH		0	0	0