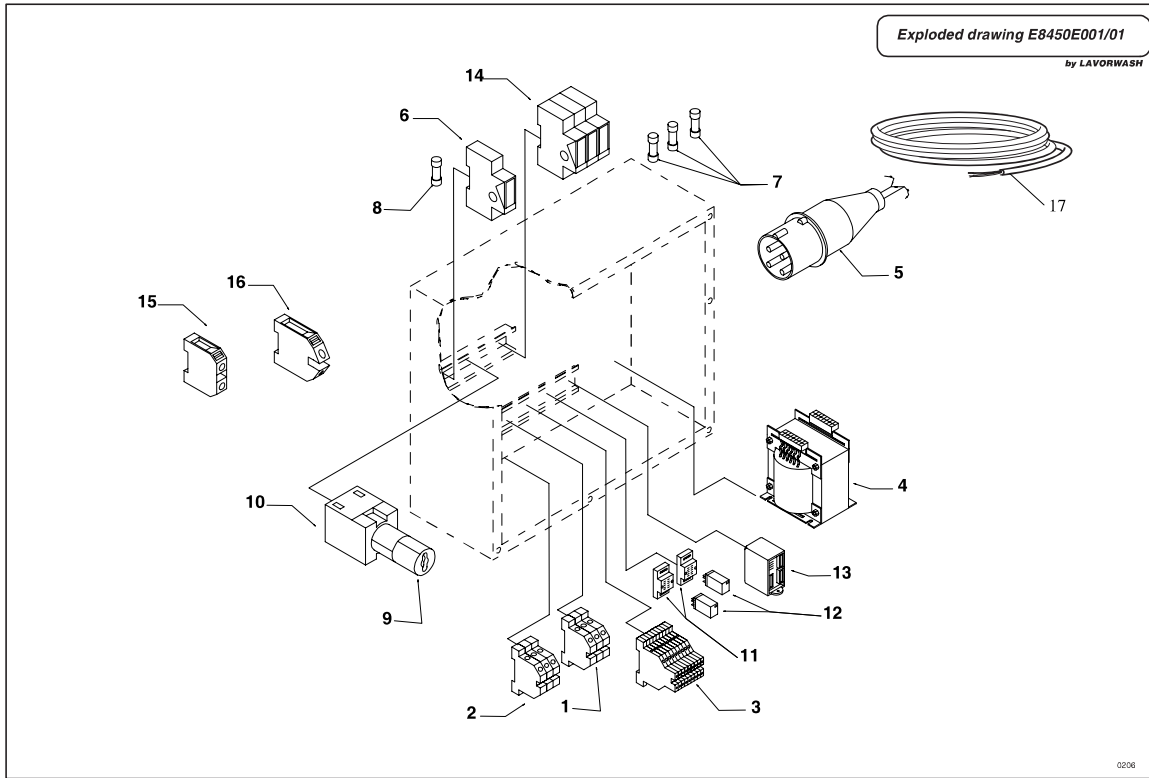


PARTS LIST

Code R54090071-1
Description CARPENTERIA INOX

Start Date 7/3/2005
End Date 1/1/3000
Table E8450R001-01

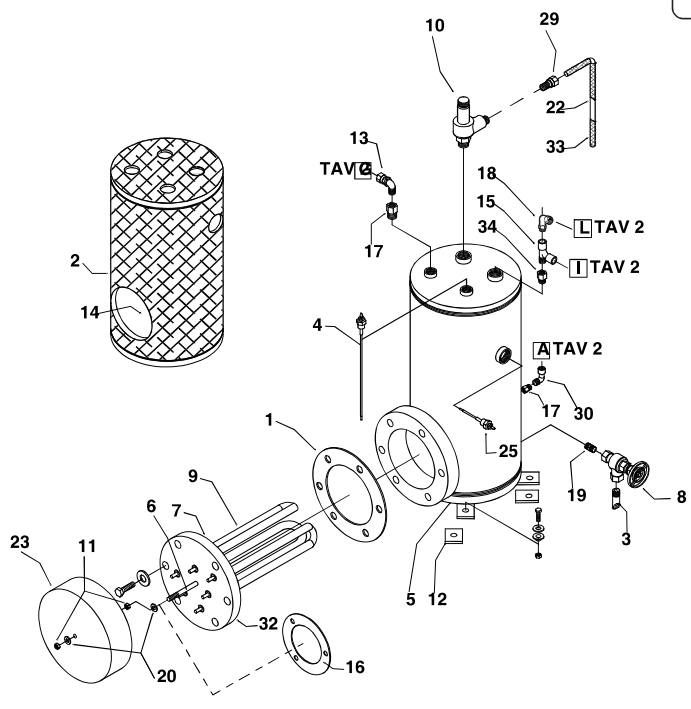
Pos.	Code	Price	Q.ty per pck.	Qty.	Description	Alternative	Price	G
001	5.413.0012	445.52	1	1	ASSIEME BASE INOX X 6018 (1601102)		0	0
002	5.413.0013	921.66	1	1	ASSIEME CARENATURA INOX X 6018(1601112)		0	0
003	5.413.0014	104.8	1	1	CARTER LATERALE DX INOX X 6018(1601120)		0	0
004	4.407.0124	0	1	1	CARTER POSTERIORE C/GELOSIE XGV ESP.01		0	0
005	5.413.0015	455.53	1	1	ASSIEME CARTER SUPERIORE INOXX 6018 (1601142)		0	0
006	4.407.0063	42.5	1	1	CARTER ISPEZIONE POMPE INOX X6018 (1601150)		0	0
007	4.407.0041	81.66	1	1	MANIGLIONE INOX X 6018 (1601230)		0	0
008	4.407.0022	27.14	1	2	SUPPORTO INOX X MANIGLIONE X 6005/6018 (1600822)		0	0
009	5.413.0016	182.21	1	1	TUBO C/FLANGIA X SCATOLA ELET.X 6018 (1601242)		0	0
010	4.407.0064	31.36	1	1	SUPPORTO X ELETTROVALVOLE 6018(1601402) ESP.01		0	0
011	4.407.0065	104.37	1	1	CARTER LATERALE SX INOX X 6018(1601422)		0	0
012	4.407.0043	20	1	1	PROFILO INOX FERMA SERBATOIO X6018 (1602410)		0	0
014	4.407.0066	209.38	1	1	SCATOLA ELETTRICA INOX X 6018(1601172) ESP.02		0	0
015	4.407.0089	64.24	1	1	SUPPORTO PANNELLO CONTROLLO (1604020)		0	0
018	5.413.0006	81.1	1	1	STEAM HOSE HOLDER		0	0
021	4.215.0073	2.36	10	1	ADHESIVE RUBBER MOUSE WASHER XGV 1200x12x3		0	0



PARTS LIST

<i>Code</i>	R54090073-1	<i>Start Date</i>	7/3/2005
<i>Description</i>	ASSIEME QUADRO ELETTRICO X GV15/18	<i>End Date</i>	1/1/3000
		<i>Table</i>	E8450E001-01

Pos.	Code	Price	Q.ty per pck.	Qty.	Description	Alternative	Price	G
001	3.405.0089	20	1	3	MORSETTO 10 MMQ (3005009)		0	0
002	3.405.0090	20	1	3	MORSETTO SL10/35 VERDE-GIALLO(3005066)		0	0
003	3.405.0081	8.43	3	9	MORSETTO DOPPIO BEIGE 2,5-4 (3005070)		0	0
004	3.400.0033	237.93	1	1	TRASF. MANTELLO 600VA 208-480V		0	0
005	3.499.0223	25.1	1	1	SPINA MOBILE 32A 4P (3007092)		0	0
006	3.499.0209	5.08	5	1	FUSE HOLDER FOR FUSE10x38 (3008021)		0	0
007	3.499.0225	10	2	3	FUSIBILE CF 14GG 32A 14x51 WIMEX X GV 15-18 400V (3008034)		0	0
008	3.499.0207	3.31	7	1	FUSE 10X38		0	0
009	3.405.0083	22.5	1	1	PROLUNGA X INTERRUTTORE GENER.(3009064)		0	0
010	3.401.0138	43.91	1	1	INTERRUTTORE GENERALE 63A-4 ATTACCO BASE (3009001)	3.401.0161	135.7	1
011	3.410.0030	67.6	1	1	ZOCOLO X RELE' FINDER SERIE 55 (3013061)		0	0
012	3.402.0032	76.36	1	1	TELERUTTORE 40A 230V (3013044)		0	0
013	3.403.0128	214.24	1	1	REGOLATORE LIVELLO ELETTRONICO(3027002)		0	0
014	3.499.0224	47.26	1	1	TRIPLE FUSE CARRIER 14X3		0	0
017	4.612.0032	26.82	1	5	CABLE H05PVC 4X2.5 L.5000		0	0

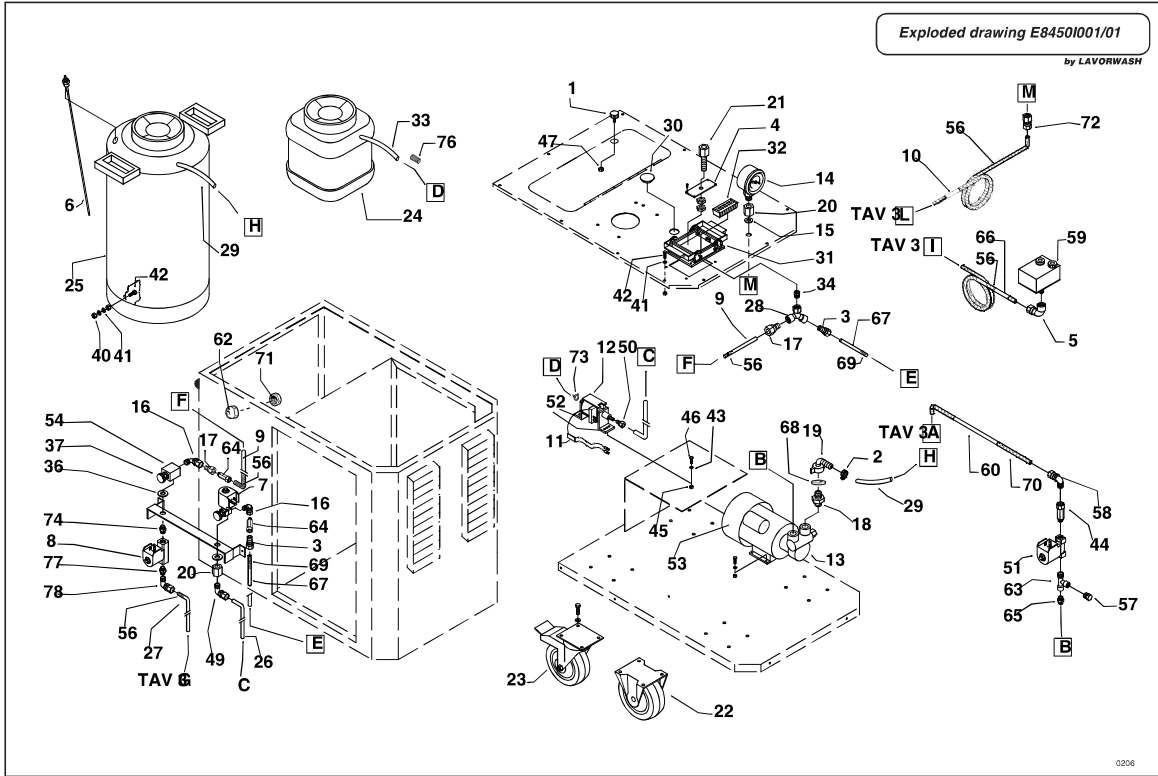


PARTS LIST

Code R54090076-1
Description COMPONENTI CALDAIA

Start Date 7/3/2005
End Date 1/1/3000
Table E8450C001-01

Pos.	Code	Price	Q.ty per pck.	Qty.	Description	Alternative	Price	Q	P
001	4.408.0226	20	1	1	GASKET FOR RESISTOR D.195 (1051890)		0	0	0
002	4.408.0227	89.9	1	1	INSULATING FOR BOILER 16 LT. 6018(1600200)		0	0	0
003	4.407.0015	20	1	1	TRONCHETTO INOX 3/8 X2XL55 (1600870)		0	0	0
004	3.403.0135	69.87	1	1	LEVEL PROBE FOR BOILER 6018 L=200 (1601560)		0	0	0
005	4.407.0062	2356.37	1	1	S/S BOILER 16 LT. FOR 6018 (1601632)		0	0	0
006	4.407.0058	2.15	10	1	BARRA FILETTATA M6 X60mm INOX(1023000)		0	0	0
007	3.200.0181	10	2	6	GUARNIZIONE TEFLON 21X17X3sp (3044001)	3.004.0185	3.8	6	0
008	3.105.0011	27.14	1	1	EXHAUST VALVE 3/8		0	0	0
009	3.499.0227	88.15	1	3	RESISTENZA W6000 230V LSF.260(3017007)		0	0	0
010	3.106.0011	91.17	1	1	SAFETY VALVE 1/2 12BAR		0	0	0
011	3.003.0029	1	20	1	NUT M6 DIN 935 INOX		0	0	0
012	4.408.0189	1	20	4	INSULATING STRIP X 6018 35x30FORO D.10 (1600610)		0	0	0
013	3.100.0199	4.37	6	1	RACCORDO L.F.1/4 RAME 8		0	0	0
014	3.099.0957	56.56	1	1	FIBRA DI CERAMICA sp.6 (3046015)		0	0	0
015	3.100.0193	8.72	3	1	"T" CONNECTION 1/4 F-F-M		0	0	0
016	4.406.0023	20	1	1	PIASTRINA X COLLEG.RESISTENZE380V X GV15/18 (1604070)ESP.00		0	0	0
017	3.100.0031	6.74	4	1	REDUCTION 3/8 M. 1/4 F		0	0	0
018	3.100.0155	5.64	4	1	RACCORDO L.M.1/4 RAME 8 ART.237 (3026019)		0	0	0
020	3.004.0047	1	20	1	WASHER D.6X12 SP.2 UNI 6592 INOX		0	0	0
022	4.616.0026	29.51	1	1	TUBO RAME COTTO MM.12x10 SAGOM. L=600mm SCARICO CALDAIA		0	0	0
023	4.407.0080	20.87	1	1	COPERCHIO RESIST. IN ACCIAIO CATAFORESI NERA X GV (1055000)		0	0	0
025	3.499.0201	100.36	1	1	THERMOCOUPLE PT100 L=1000mm		0	0	0
029	3.100.0200	10	2	1	RACCORDO DIRITTO 3/8M RAME 12		0	0	0
030	3.100.0201	6.85	4	1	RACCORDO A L 1/4 M RAME 10 (E2205007)		0	0	0
032	4.407.0061	151.96	1	1	S/S FLANGE D.198 FOR 3 RESISTORS (1600290) - FOR GV 15/18		0	0	0
033	3.411.0031	20	1	1	GUAINA VETRO-SILICONE D.12		0	0	0
034	3.100.0030	4.98	5	1	REDUCTION 1/2M 1/4F		0	0	0



PARTS LIST

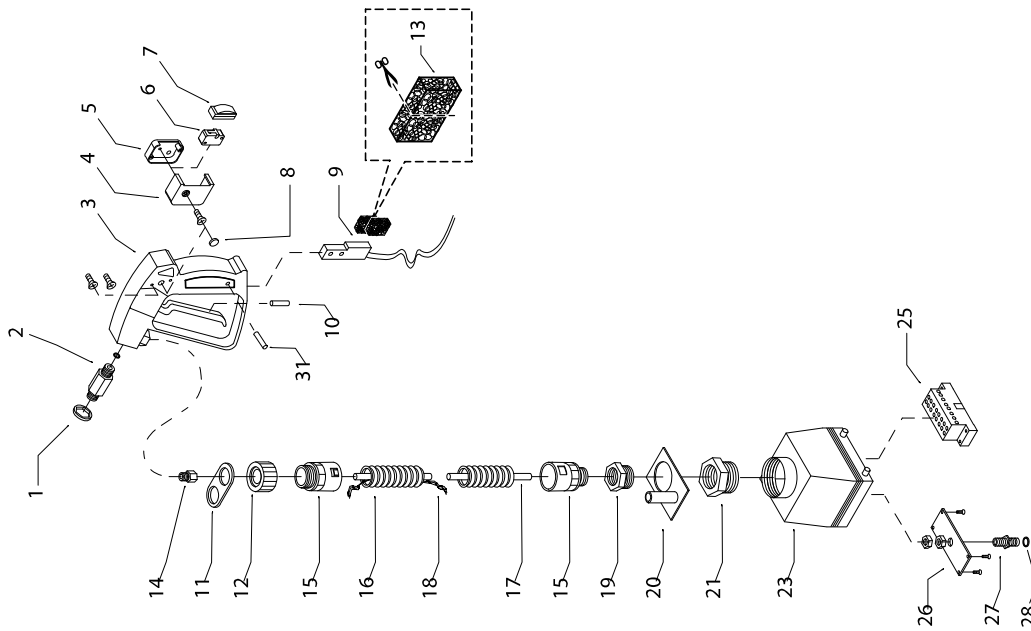
Code R54090106-1 Start Date 7/3/2005
 Description COMPONENTI INCASTELLATURA End Date 1/1/3000
 Table E8450I001-01

Pos.	Code	Price	Q.ty per pck.	Qty.	Description	Alternative	Price	Q	P
001	3.099.0962	20	1	1	KNOB M6X16 (3032003)		0	0	0
002	3.099.0448	2.21	20	1	WRAPPER D.7/11 WRAP 5mm		0	0	0
003	3.100.0158	20	1	2	STRAIGHT CONNECTION M.1/4 COPPER 6 (302 6035)		0	0	0
004	4.407.0027	7.95	3	1	PIASTRINA INOX PRESA VAPORE (1600830)		0	0	0
005	3.100.0199	4.37	6	1	RACCORDO L.F.1/4 RAME 8		0	0	0
006	3.403.0125	25	1	1	SONDA LIVELLO SERBATOIO ACQUATL10B/TFL L=400 (3027011)		0	0	0
007	3.412.0015	62.73	1	1	ELETTROV. SAPONE REG. D.2,8 230V/50-60Hz (3003025)		0	0	0
008	3.412.0019	124.8	1	1	SOLENOID VALVE D.8 - 3/8 220V50/60Hz		0	0	0
009	4.616.0024	20	1	1	TUBO RAME COTTO MM.8x6 SAGOM.L=320mm USCITA VAPORE 6018		0	0	0
010	4.616.0023	20	1	1	TUBO RAME COTTO MM.8x6 SAG. L=700mm		0	0	0
011	3.403.0126	10.71	3	1	THERMOSTAT UP62 130'C X 6005 (3012017)		0	0	0
012	3.551.0031	24.12	1	1	PUMP ET 505 230V 50HZ		0	0	0
013	3.752.0136	214.36	1	1	POMPA VOLUMETRICA APR/2AZ 3/8G200l/h TARATA 15bar (3019126)	3.752.0166	184.7	1	0
014	3.107.0014	51.48	1	1	MANOMETRO ATT. RAD. 1/4 0-16bar (3025001)		0	0	0
015	3.004.0140	4.22	6	1	RONDELLA PIANA D.14 INOX (3029378)	3.004.0147	1	2	0
016	3.100.0177	3.75	6	1	ELBOW 1/4"M 1/4"		0	0	0
017	3.100.0165	6.16	4	2	COUPLING 1/4M D.8		0	0	0
018	3.100.0161	5.3	5	1	NIPPLO PLASTICA 3/4M 3/8M (3026058)		0	0	0
019	3.100.0166	6.75	3	1	PORTAGOMMA 3/4 + GHIERA (3026059)		0	0	0
020	3.100.0059	4.55	5	2	COLUMN 1/4M 1/4F		0	0	0
021	4.406.0012	20	1	1	PRESA VAPORE FEMMINA (1600850)ESP.01		0	0	0
022	3.006.0100	62.51	1	2	WHEEL D.160 H.190		0	0	0
023	3.006.0099	101.34	1	2	RUOTA D.160 SUPPORTO GIREVOLEC/FRENO (3034007)		0	0	0
024	3.601.0067	20	1	1	SERBATOIO PLASTICA 5LT. 19X19(3043067)		0	0	0
025	3.601.0069	58.3	1	1	SERBATOIO PLASTICA 25LT.D275 (3043066)		0	0	0
026	3.099.1072	0	1	1	TUBO TEFLON D.6X4 L=460mm		0	0	0
027	4.616.0016	20	1	1	TUBO RAME COTTO MM.8x6 SAGOM.L=450mm CALDAIA/ELETTROV.		0	0	0
028	3.100.0159	8.43	3	1	RACCORDO A Y 1/4 FFF ART.486 (3026255)		0	0	0
029	3.099.0963	20	1	1	TUBO RETINATO 12X18 L=1170 (3035042)		0	0	0
030	3.099.0967	4.22	6	1	TAPPO SCATTO PLASTICA BIANCO 30.6 (3039025)		0	0	0
031	3.499.0202	79.65	1	1	CUSTODIA INC. 2 LEVE (PRESA) 32P ILME (3007045)		0	0	0
032	3.405.0069	20	1	1	FRUTTO PRESA 16P ILME (3007048)		0	0	0
033	4.008.0530	5.41	5	1	TUBO TRASPARENTE D.6X9 L=500		0	0	0
034	3.100.0009	2	10	1	REDUCTION 1/4M - 1/8F		0	0	0
036	4.406.0035	5.41	5	1	GHIERA 1/4 BASSA sp.3mm		0	0	0
037	3.099.0960	20	1	1	STEAM ADJUSTMENT KNOB (1 600360)		0	0	0
040	3.003.0420	1	20	2	NUT M4 UNI 5588 STAINLESS STEEL		0	0	0
041	3.004.0026	1	20	1	WASHER D.4,3X12 UNI 6593 ZNT		0	0	0
042	3.002.0647	1	20	1	SCREW TCEI M4X16 INOX UNI 5932		0	0	0
044	3.106.0012	26.28	1	1	NON-RETURN VALVE 1/4 M-M		0	0	0
047	3.003.0029	1	20	1	NUT M6 DIN 935 INOX		0	0	0
049	3.100.0169	4.22	6	1	RACCORDO A L MAS.1/4 NYL 6 CALZ. (3026011)		0	0	0
051	3.412.0014	52.02	1	1	SOLENOID VALVE D.2,8-1/4 230V50/60Hz 0,1-25BAR		0	0	0

PARTS LIST

Code R54090106-1 Start Date 7/3/2005
 Description COMPONENTI INCASTELLATURA End Date 1/1/3000
 Table E8450I001-01

Pos.	Code	Price	Q.ty per pck.	Qty.	Description	Alternative	Price	Q	P
052	4.208.0313	4.33	6	2	L ANTIVIBRATION DEVICE FOR ULKA DETERG. PUMP		0	0	0
053	3.755.0052	153	1	1	WATER PUMP MOTOR 230V - 50/60HZ 300W		0	0	0
054	4.406.0025	0	1	1	STEAM REGULATOR 1/4FF WORKED BRASS ESP.00	5.409.0168	31.99	1	0
056	3.411.0029	9.73	3	1	GUAINA VETRO-SILICONE D.8		0	0	0
057	4.606.0001	20	1	1	CAP		0	0	0
058	3.100.0201	6.85	4	1	RACCORDO A L 1/4 M RAME 10 (E2205007)		0	0	0
059	3.403.0123	145.57	1	1	MANOSTAT 9 BAR 1/4G		0	0	0
060	4.616.0020	8.43	3	1	TUBO RAME COTTO MM.10x8 A L L=520mm POMPA/CALDAIA 6018	4.616.0045	56.18	1	0
062	3.406.0033	20	1	1	CABLE BLOCK PG.21		0	0	0
063	3.100.0193	8.72	3	1	"T" CONNECTION 1/4 F-F-M		0	0	0
064	3.106.0016	20	1	2	CHECK VALVE 1/4FF WITH SPRING(3020009)		0	0	0
065	3.100.0022	4	5	1	REDUCTION M.GAS/M.GAS 3/8 1/4		0	0	0
066	4.616.0022	20	1	1	TUBO RAME COTTO MM.8x6 SAGOM.L=800mm PRESSOST./CALDAIA		0	0	0
067	4.616.0025	11.19	3	1	TUBO RAME COTTO MM.6x4 SAGOM.L=320mm USCITA DETERG. 6018		0	0	0
068	3.299.0009	2.5	20	1	OR+ADAPTOR OT WITH F3/4USA FILTER		0	0	0
069	3.411.0028	8.86	3	1	SILICONE-GLASS SLEEVE D.6		0	0	0
070	3.411.0030	20	1	1	SILICONE-GLASS SLEEVE D.10		0	0	0
071	3.406.0038	1	20	1	GHIERA PER PG.21 ANTISTRAPPO		0	0	0
072	3.100.0157	6.16	4	1	RACCORDO DIR.FEM.1/4 RM 8 (3026030)		0	0	0
073	3.099.0280	1	20	1	HOSE CLAMP D. 10,1		0	0	0
074	3.100.0219	9.73	3	1	RIDUZIONE 3/8 M. 1/4 M. ORIENTABILE		0	0	0
076	4.607.0128	2	10	1	VERTICAL SHAFT THERMIC 3 PUMP		0	0	0
077	3.100.0031	6.74	4	1	REDUCTION 3/8 M. 1/4 F		0	0	0
078	3.100.0155	5.64	4	1	RACCORDO L.M.1/4 RAME 8 ART.237 (3026019)		0	0	0



LAVORWASH
SERVICE

PARTS LIST

Code R64020044-1
Description PISTOLA VAPORE

Start Date 7/3/2005
End Date 1/1/3000
Table E8450V001/01

Pos.	Code	Price	Q.ty per pck.	Qty.	Description	Alternative	Price	Q. P.
001	3.004.0141	5.51	5	1	RONDELLA D.35-CH.20 sp.2,5 TEFLON (1602550)		0	0
002	4.406.0015	20	1	1	NIPPLO M18x1,5 USCITA PISTOLA(1602500)		0	0
003	3.710.0001	75.79	1	1	PISTOLA P4-SF16 ATTACCO 3/8 F1/4f (3001031)(AL010430109)		0	0
004	3.410.0027	20	1	1	COPRI MICRO X PISTOLA 6000 (3014041)		0	0
005	4.408.0187	20	1	1	ATTACCO MICRO 2FR232 LAVORATO(3033096)		0	0
006	3.401.0132	20	1	1	MICRO PISTOLA MOD.6000 (3014006)		0	0
007	3.410.0028	20	1	1	CUFFIA PROTEZIONE MICRO 2FR238(3033066)		0	0
008	3.410.0029	1	20	1	TAPPO MICRO 2FR246 (3033053)		0	0
009	3.401.0133	25.37	1	1	MICRO MAGNETICO MOD.6000 (3014030)		0	0
010	3.099.0971	20	1	1	MAGNETE NEODIMIO PISTOLA 6000(3014031)		0	0
011	4.408.0185	20	1	1	GUARNIZIONE ISOLANTE IN SILICONE (1601600)		0	0
012	4.408.0184	29.75	1	1	GHIERA ISOLANTE PG21 (1601030)		0	0
013	4.008.0511	2	10	1	FOAM GASKET FOR ELECTRIC CABLE		0	0
014	4.406.0021	4.11	6	1	RIDUZIONE 1/4F-3/8M	3.100.0031	6.74	4
015	3.100.0175	7.4	4	2	RACCORDO DR. PG21 AL28/PG21/ABL48 (3007051)		0	0
016	3.411.0023	42	1	1	GUAINA ROBOT P.GRO NW23 D.28,5(3007052)		0	0
017	4.418.0010	161.28	1	1	TUBO VAPORE PTFE MT3,5 C/RACC.GIR. 1/4MF CH.17 (3035071.4)		0	0
018	3.099.0969	20	1	3	CAVO VETROTEX 0,75 BIANCO 4mt		0	0
019	3.100.0174	10.26	3	1	RIDUZIONE M PG29/F PG21 (3007050)		0	0
020	4.407.0031	20	1	1	PIASTRA INOX PORTA MOLLA (1600350)		0	0

PARTS LIST

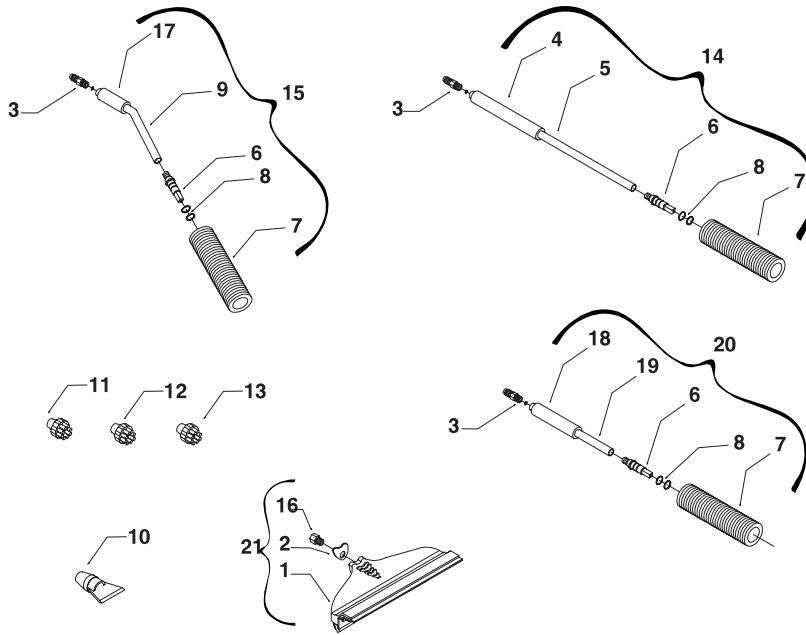
Code R64020044-1
Description PISTOLA VAPORE

Start Date 7/3/2005
End Date 1/1/3000
Table E8450V001/01

Pos.	Code	Price	Q.ty per pck.	Qty.	Description	Alternative	Price	Q
021	3.100.0173	25	1	1	RIDUZIONE M PG36/F PG29 (3007049)		0	0
023	3.499.0203	62.22	1	1	CUSTODIA MOB. (SPINA) 32P ILMEPG36 (3007046)		0	0
024	3.100.0009	2	10	1	REDUCTION 1/4M - 1/8F		0	0
025	3.405.0075	20	1	1	FRUTTO SPINA 16P ILME (3007047)		0	0
026	4.407.0027	7.95	3	1	PIASTRINA INOX PRESA VAPORE (1600830)		0	0
027	4.406.0032	20	1	1	INNESTO MASCHIO VAPORE (1604090) ESP.01		0	0
028	3.200.0197	1	20	2	GUARNIZIONE OR 8,75x1,78 VITONX 6005/18 (3024139)		0	0
031	3.099.1105	7.9	3	1	SPINA 2,5X29 INOX		0	0
033	6.402.0054	126.71	1	1	CORPO PISTOLA P4-SF16 (1601000)		0	0

Exploded drawing E8450A001/01

by LAVORWASH



0206

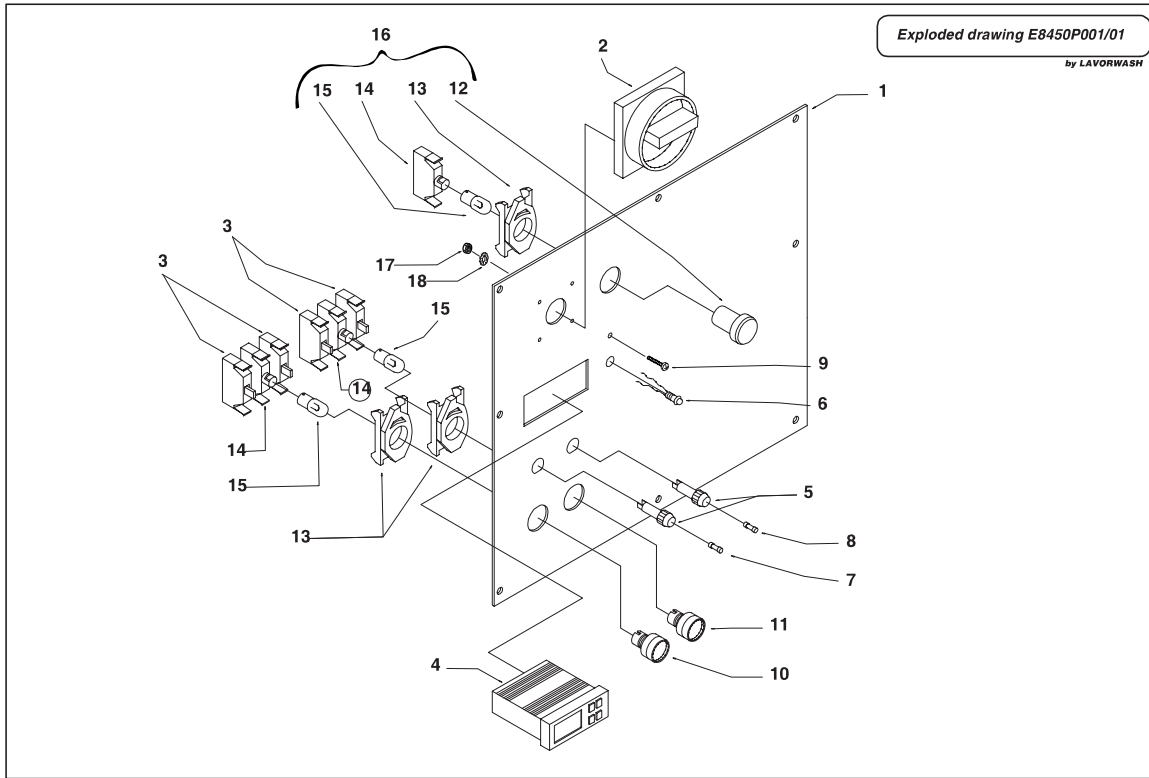
LAVORWASH
SERVICE

PARTS LIST

Code R8450A002-1
Description GRUPPO ACCESSORI

Start Date 7/3/2005
End Date 1/1/3000
Table E8450A001-01

Pos.	Code	Price	Q.ty per pck.	Qty.	Description	Alternative	Price	G
001	6.402.0049	20	1	1	SPATOLA TERGIVETRO L=245 LAVORATA (1600460)		0	0
002	4.407.0037	5.08	5	1	PIASTRINA INOX SPATOLA GRANDE(1600510)		0	0
003	4.407.0077	20	1	3	NOZZLE 2PCS 2,9mm		0	0
004	3.099.1115	20	1	1	TUBO SILICONE NERO D.12x18 L=425mm		0	0
005	4.407.0035	35.47	1	1	TUBO ACCIAIO INOX DRITTO D.12L=425 (1602600)		0	0
006	4.406.0013	9.71	3	3	TERMINALE INGRESSO PISTOLA X TUBO 12 (1602620) ESP.01		0	0
007	4.408.0183	47.24	1	3	IMPUGNATURA D.40 PA66+30%FV C/INTERNO M20 (1602510)		0	0
008	3.200.0197	1	20	6	GUARNIZIONE OR 8,75x1,78 VITONX 6005/18 (3024139)		0	0
009	4.407.0095	20	1	1	TUBO ACCIAIO INOX A 45GR D.12L=202 (1602610)		0	0
010	6.402.0046	4.2	6	1	BLACK PLASTIC SCRAPER L.50		0	0
011	6.402.0045	10	2	1	NYLON BRISTLE BRUSH D.30		0	0
012	6.402.0047	10	2	1	S/S BRISTLE BRUSH D.30		0	0
013	6.402.0048	10	2	1	BRASS BRISTLE BRUSH D.30		0	0
014	6.402.0051	51.86	1	1	STRAIGHT LANCE mm175 WITHOUT NOZZLE		0	0
015	6.402.0052	94.34	1	1	CURVED LANCE mm250 WITHOUT NOZZLE		0	0
016	3.100.0009	2	10	1	REDUCTION 1/4M - 1/8F		0	0
017	3.099.1131	9.19	3	1	TUBO SILICONE NERO D.12x18 L=202mm		0	0
018	3.099.0968	29.01	1	1	TUBO SILICONE NERO D.12x18 L=175mm		0	0
019	4.407.0032	20	1	1	TUBO ACCIAIO INOX DRITTO D.12L=175 (1602590)		0	0
021	6.402.0050	79.44	1	1	GLASS WIPER	6.402.0069	45	1



PARTS LIST

Code R8450P001-1
Description GRUPPO PANNELLO

Start Date 7/3/2005
End Date 1/1/3000
Table E8450P001-01

Pos.	Code	Price	Q.ty per pck.	Qty.	Description	Alternative	Price	G
001	4.405.0016	182.77	1	1	PANNELLO COMANDI ALLUMINIO X 6018 PANT.432 C (1601180)		0	0
002	3.499.0260	4.41	6	1	MAIN SWITCH TAB (3009042)		0	0
003	3.499.0213	20	1	4	CONTATTO X PULSANTE D.22-NO (3009059)		0	0
004	3.403.0127	214.24	1	1	TERMOREGOLATORE TLK38 ACR_23 (3012014)		0	0
005	3.499.0208	10	2	2	PORTAFUSIBILE A PANN. X FUSIB.6x30 (3008003)		0	0
006	3.407.0012	20	1	1	LED SEGNAZIONE LIVELLO ACQUA(3027059)		0	0
007	3.499.0204	10	2	1	FUSIBILE 4A 6,3x32 WIMEX (3008015)		0	0
008	3.499.0205	2.21	10	1	FUSIBILE 2A 6,3x32 WIMEX (3008016)		0	0
009	3.002.0028	1.09	20	1	SCREW TC-TC M4X12 UNI 7687 ZNT		0	0
010	3.401.0135	72.68	1	1	PULSANTE 22 VERDE PASSO PASSO(3009057)		0	0
011	3.401.0136	74.19	1	1	PULSANTE 22 ARANCIO PASSO PASSO (3009058)		0	0
012	3.407.0011	20	1	1	COPRILAMPADA-SPIA TRASPARENTE(3009095)		0	0
013	3.499.0214	6.74	4	2	PORTA CONTATTI A 3 POSTI (3009060)		0	0
014	3.499.0215	20	1	2	CONTATTO PORTALAMPADA (3009061)		0	0
015	3.407.0010	2.17	10	2	MICROLAMPADA BA9S 10x28 30V 2WX PULSANTE VERDE/ GIALLO		0	0
016	3.499.0288	0	1	1	LAMPADA BIANCA COMPLETA X QUADRO ELETTRICO GV (3009103)		0	0