

LAVORWASH

SERVICE

Parts

CODE

8.601.0103

DESCRIPTION

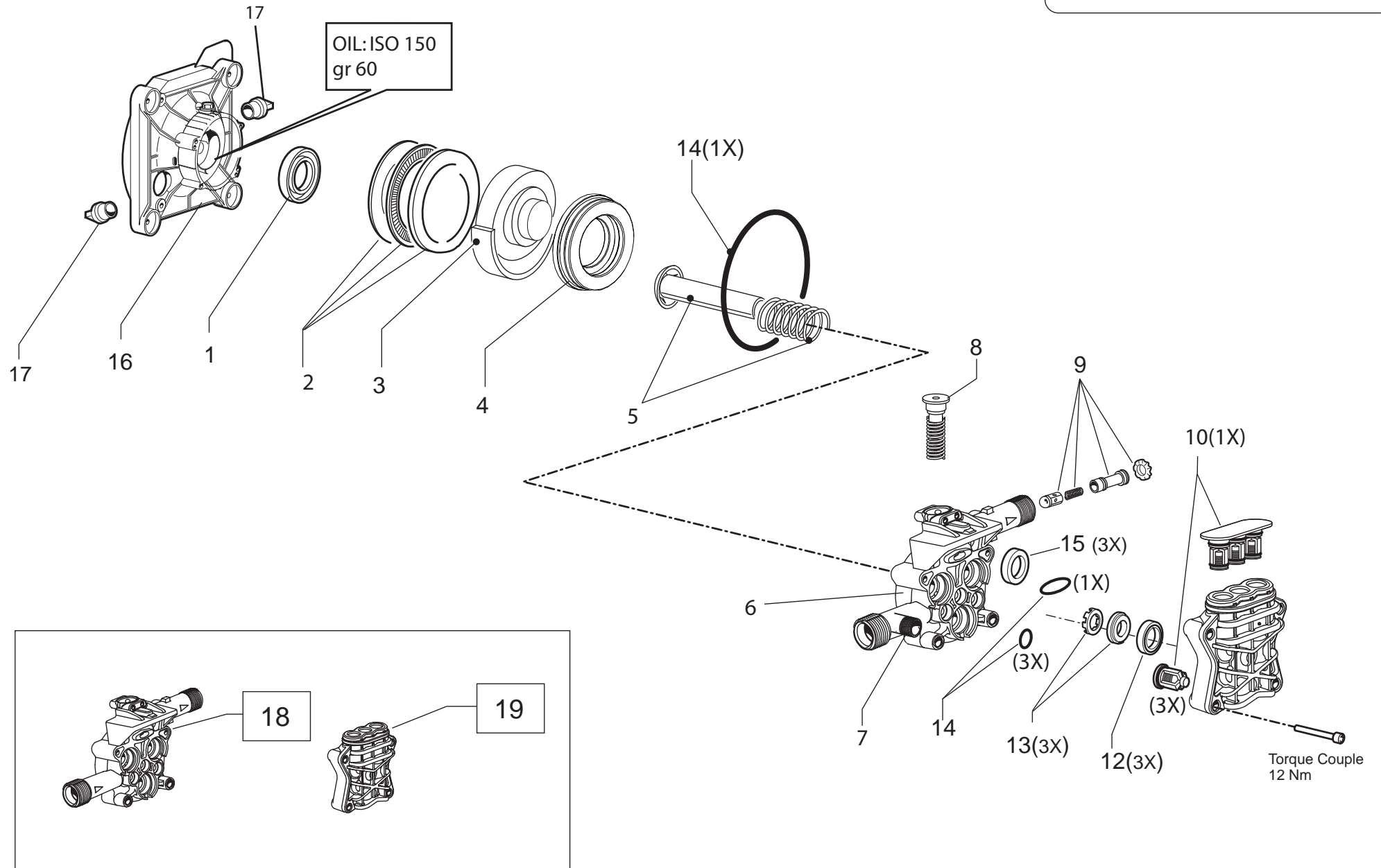
H.P.W. INDEPENDENT 1900 LWS (2,5 HP)

REVISION

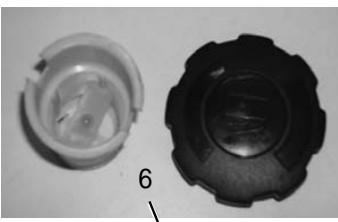
2/12/2008

VALIDITÀ

WEEK 42 2014



Pos.	Code	Price	Q.ty per	Qty.	Description	Alternative	Price	Q.ty per	Description
001	3.650.0001	1.95	11	1	OIL SEAL 17X30X6 154F-2.5HP (r.13180)		0	0	
002	6.005.0021	22.49	1	1	KIT 24 LAVOR		0	0	
003	4.005.0265	5.12	4	1	WOBBLE PLATE 9DEG30'SLOPE-TH.PT'03		0	0	
004	4.007.0328	11.46	2	1	THRUST BEARING 35X55X12 PT'03		0	0	
005	6.005.0225	33.1	1	1	PISTON KIT		0	0	
007	3.106.X024	11.33	2	1	THERMAL VALVE 1/8" 60°C		0	0	
008	5.009.0647	9.18	3	1	COMPENSATED VALVE ASSEMBLY WITHOUT TS -		0	0	
009	6.005.0281	11.25	2	1	KIT 256 VALVE GUIDE RID. W/OSUCTION PT'03C		0	0	
010	6.005.0184	11.25	2	1	KIT 170 LW HEAD VALVE KIT		0	0	
012	6.005.0133	11.25	2	1	KIT 124 O-RING WATER SEAL PARTNER D.12		0	0	
013	6.005.0134	11.25	2	1	KIT 125 O-RING SEAL		0	0	
014	6.005.0226	8.79	3	1	KIT 209 O-RING		0	0	
015	6.005.0079	12.37	2	1	KIT 79 LW OIL SEALS		0	0	
016	4.005.0248	38.81	1	1	HORIZONTAL THERMIC ENGINE FLANGE 2.5 HP		0	0	
017	6.605.0093	38.81	1	1	DIPSTICK SUB ASSY		0	0	
018	5.007.0223	73.83	1	1	BODY GUIDE		0	0	
019	5.008.0182	20.8	1	1	'03 PARTNER HEAD D.12	5.008.0182C	22.49	1	PUMP HEAD PARTNER '03 D.12
8.601.0103	R50090001-2				BODY PUMP				



OIL:
SAE 15 W40

