

LAVORWASH

SERVICE

Parts

CODE

8.401.0009

DESCRIPTION

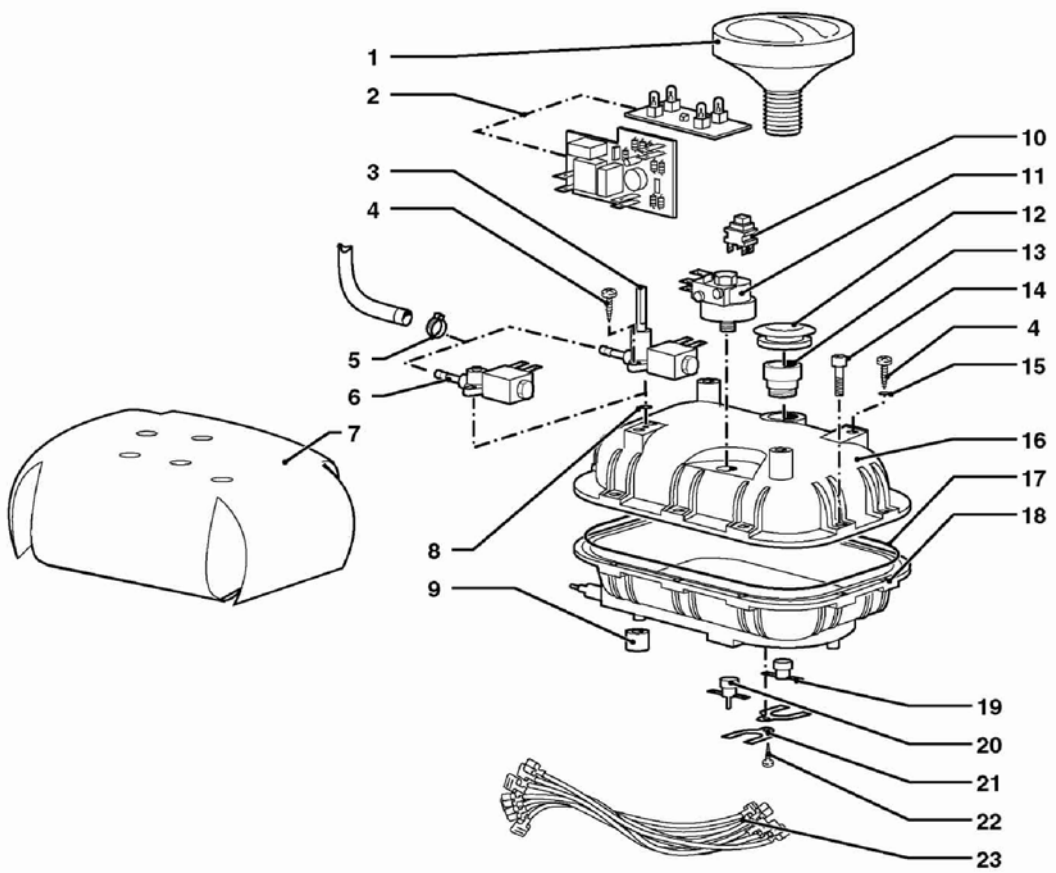
STEAM CLEANER SYNCROVAP LWS WITHOUT IRON

REVISION

9/9/2002

VALIDITÀ

WEEK 40 2013

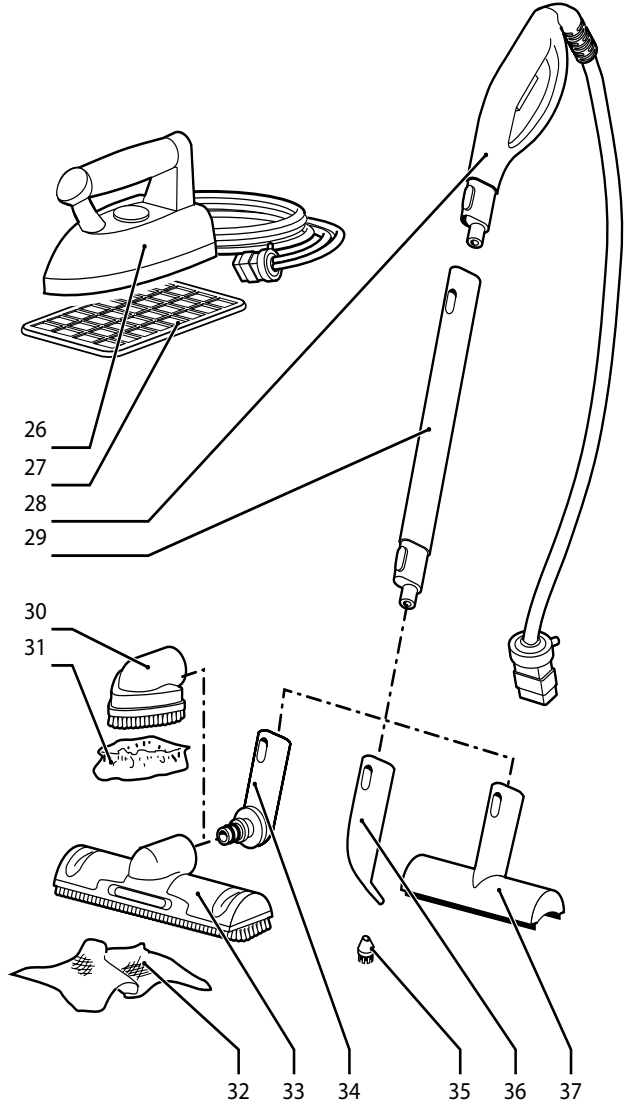
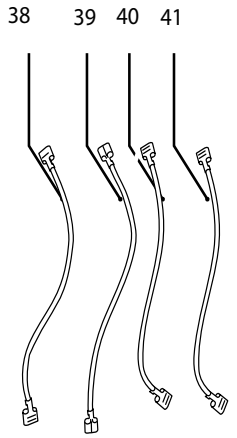
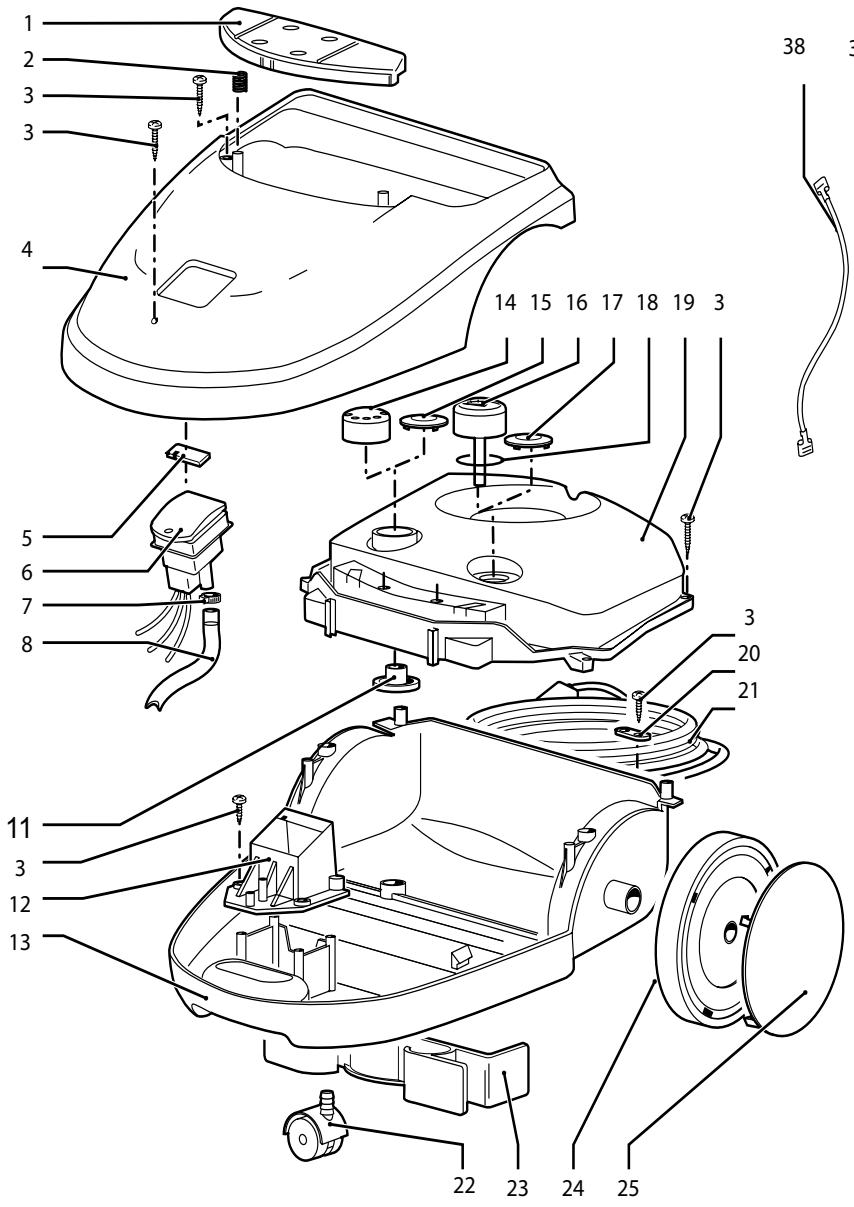


Pos.	Code	Price	Q.ty per	Qty.	Description	Alternative	Price	Q.ty per	Description
001	5.409.0008	21.42	1	1	COMPLETE CAP		0	0	
002	4.415.0005	12	2	1	4 LIGHTS BOARD	4.415.0007	21.42	1	4-WAYS CARD, 230V HP SERIE INSULATED
003	3.412.0003	10.71	2	1	ELECTROVALVE HP REG.V230 FLANGE/RUBBER		0	0	
004	3.002.0111	1.07	20	3	SCREW TC-TORX M4X10 ZNT		0	0	
005	3.099.0116	1.07	20	1	BAND 10091		0	0	
007	4.408.0010	21.42	1	1	INSULATED COVER FOR BOILER		0	0	
008	3.200.0068	1.07	20	1	OR GASKET 8.74X1.78		0	0	
009	4.408.0008	1	25	3	SUPPORT PAD	6.005.0165	10.71	2	STEAM STOPPER KIT
010	3.401.0055	7.65	4	2	SWITCH BIP PUSH L5 16A		0	0	
011	3.403.0023	21.42	1	1	AIR PRESSURE SWITCH 3.7 BAR		0	0	
012	4.408.0012	21.42	1	1	COLLAR DIAM.24		0	0	
013	4.406.0001	21.42	1	1	BOILER NECK		0	0	
014	3.002.0015	1.39	20	10	AUTOTAPPING SCREW TCEI M6X25 ZNT		0	0	
015	3.004.0003	1.07	20	2	WASHER D.4X8 DIN6798 ZNT		0	0	
016	4.405.0001	21.42	1	1	UPPER BOILER		0	0	
017	4.408.0009	5.44	5	1	OR GASKET 124X188		0	0	
018	4.405.0002	19.79	2	1	LOWER BOILER HP V230W1500	5.409.0028	43.45	1	BOILER ASSY HP 230V
019	3.403.0015	7.47	4	1	THERMOSTAT 150°C	3.403.0052	1.61	20	AUTOMATIC THERMOSTAT 150 C
020	3.403.0016	1.61	20	1	THERMOSTAT 187°C		0	0	
021	4.407.0001	1.07	20	1	THERMOSTAT FIXING CLAMP		0	0	
022	3.002.0132	1.07	20	1	SELF-TAPPING SCREW TC-TC 3,5X9,5 UNI6954 ZNT		0	0	
023	4.412.0008	21.42	1	1	CABLES		0	0	

8.401.0009	R54090002-2	GRUPPO CALDAIA DUO-STEAM SENZATRAF.BASSA TENSIONE							
-------------------	--------------------	--	--	--	--	--	--	--	--

Exploded drawing cod. E8401C001/02

by LAVORWASH



Pos.	Code	Price	Q.ty per	Qty.	Description	Alternative	Price	Q.ty per	Description
001	4.408.0003	21.42	1	1	CONTROL BOTTON DEVICE		0	0	
002	4.407.0002	1.07	20	2	SPRING FOR SWITCHES BOTTON		0	0	
003	3.002.0106	1.07	20	11	SCREW TC-TC 3.9X16 UNI 6954ZNT		0	0	
004	4.413.0006	21.42	1	1	COVER FOR SYNCROVAP GREEN RAL6019		0	0	
005	4.408.0013	1.07	20	1	GASKET FOR QUICK CONNECTION SOCKET		0	0	
006	5.409.0001	29.65	1	1	KIT SOCKET FOR QUICK CONNECTION		0	0	
007	3.099.0137	1.07	20	1	IRON CLAMP D.8-10mm		0	0	
008	4.418.0001	4	6	1	LINED HOSE EPDM L400MM	53.7047000	4.74	5	TUBO DIAM. 4X8 CALZATO
011	4.408.0005	21.42	1	1	REGULATOR FIXING KNOB		0	0	
012	4.408.0001	21.42	1	1	FIXING SUPPORT		0	0	
013	4.413.0001	30.12	1	1	LOWER HOUSING - GREY	4.413.0039	21.42	1	BLACK LOW COVER HP
014	4.408.0004	21.42	1	1	BLACK REGULATOR KNOB		0	0	
016	3.403.0017	16.22	2	1	THERMOSTAT D.40	3.403.0139	21.42	1	THERMOMETER D.40 HP BLACK (GLASS BODY PC)
018	3.200.0065	1.07	20	1	OR 33.05X1.78 GASKET		0	0	
019	4.413.0002	19.47	2	1	COVER FOR BOILER	6.005.0141	23.18	1	KIT 129 COPERCHIO HP E MANOPOLA REG.
020	4.008.0277	1.07	20	1	FIX PAD CABLE HOLDER		0	0	
021	4.412.0001	16.22	2	1	MT 4 CABLE WITH SCHUKO PLUG	4.412.0021	11.82	3	CABLE H05-VVF 3X1 MT4 SCHUKO
022	3.754.0006	4.28	5	1	D.39 PIVOTTING TWINNING WHEELS		0	0	
023	4.408.0002	21.42	1	1	CABLE REEL		0	0	
024	4.408.0007	2.53	9	2	BLACK WHEEL DIAM. 170		0	0	
025	3.099.0115	10.71	2	2	WHEEL COVER		0	0	
028	6.402.0015	94.85	1	1	FLEXIBLE HOSE FOR STEAM CLEANER		0	0	
029	6.402.0002	10.71	2	2	BLACK EXTENTION		0	0	
030	6.402.0005	21.42	1	1	BLACK TRIANGULAR BRUSH		0	0	
031	3.099.0126	10.71	2	1	TOWEL WIPE FOR INDUSTRIAL USE(22x22cm.with		0	0	
032	3.099.0189	10.71	2	1	FLOOR WIPER FOR INDUSTRIAL		0	0	
033	6.402.0004	27.58	1	1	BLACK RECTANGULAR BRUSH		0	0	
034	6.402.0003	21.42	1	1	BLACK BRUSH COUPLING		0	0	
035	6.402.0009	3.75	8	1	SMALL ROUND BRUSH - BLACK D.27		0	0	
036	6.402.0007	21.42	1	1	INCLINED SPRAY GUN		0	0	
037	6.402.0006	21.42	1	1	BLACK GLASS TOOL		0	0	
8.401.0009	R84010009-2	LAVASUPERFICI A VAPORE SYNCROVAP LWS S/FERRO							

