

LAVORWASH

SERVICE

Parts

CODE

8.230.0009

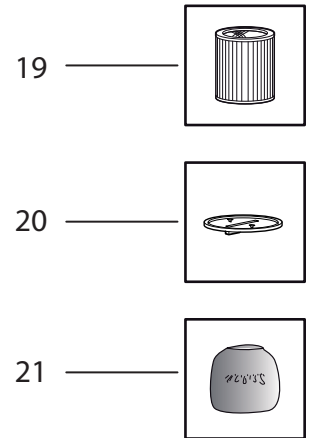
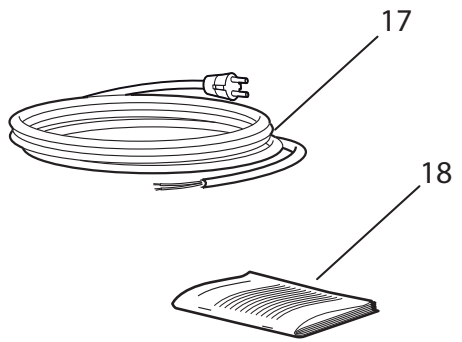
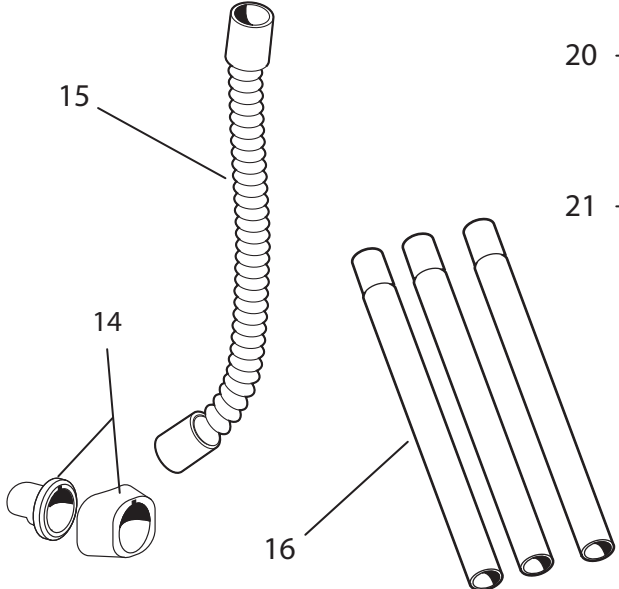
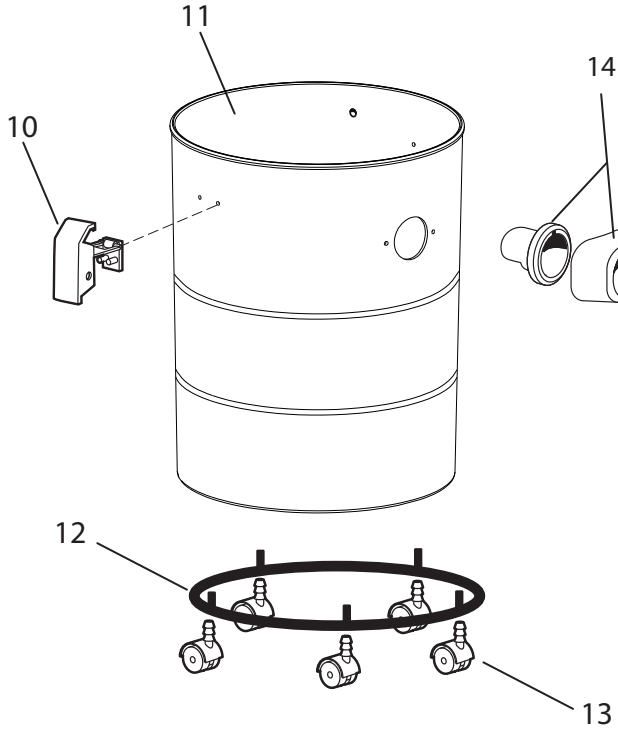
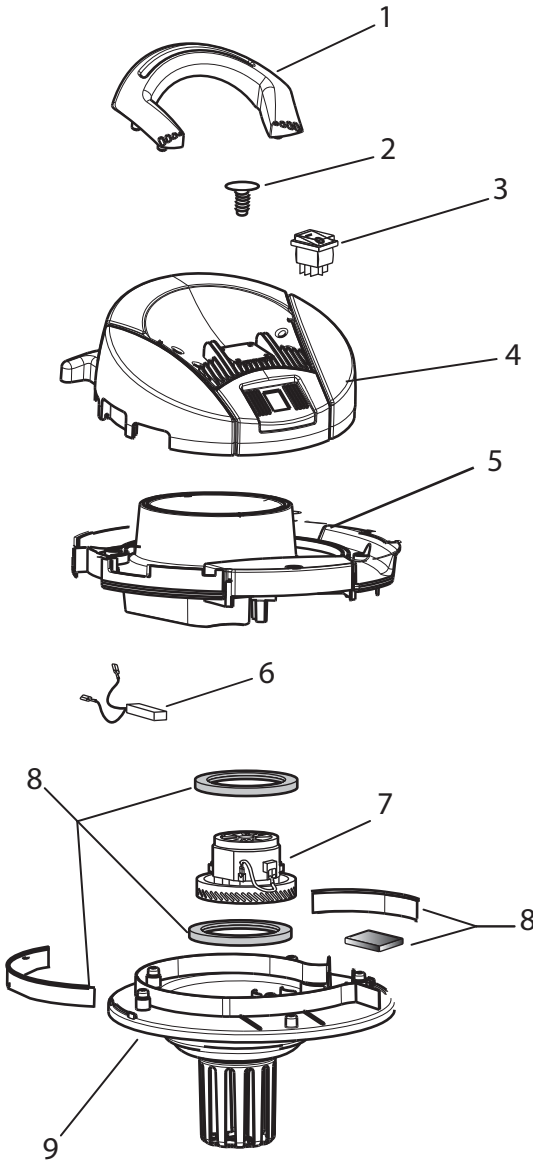
DESCRIPTION

**ASPIRACENERE ASHley1000PRO -N/GR- 220-240/50-60
+FILTRO POLVERI FINI LW**

REVISION

VALIDITÀ

WEEK 44 2014



Pos.	Code	Price	Q.ty per	Qty.	Description	Alternative	Price	Q.ty per	Description
001	4.208.0416	2.8	8	1	GREY HANDLE		0	0	
002	6.205.0098	22.49	1	1	FILTER SHAKER KIT		0	0	
003	3.401.0038	4.16	5	1	DOUBLE-POLE SWITCH	5.009.0213	5	4	SWITCH WITH PROTECTION 12(10)
004	4.208.0418	8.2	3	1	HEAD		0	0	
005	4.208.0470	11.46	2	1	BLACK AIR CONVEYER FOR MOTOR		0	0	
006	4.012.0259	1.69	12	1	RADIO INTERFERENCE SUPPRESSORCAPACIT. MKP		0	0	
007	3.755.0092	17.57	2	1	UNIVERSAL MOTOR SMb 230/50 600W WITH CABLE		0	0	
008	6.205.0081	9.59	3	1	SEAL KIT FOR HOBBY VACUUM CLEANERS MODEL		0	0	
009	5.211.0052	9.13	3	1	LOWER CAP WITHOUT FLOATER - BLACK		0	0	
010	4.208.0012	11.46	2	2	HOOK		0	0	
011	3.751.0037	21	1	1	STEEL TANK 32LT		0	0	
012	3.752.0079	5.4	4	1	HOLDER WHEEL BASE FRAME(5 WHEELS)		0	0	
013	3.754.0199	4.64	5	5	TWINNED WHEEL PIVOTING,BLACK D.40 ,STEEL PIN.		0	0	
014	6.205.0022	2.69	8	1	DEFLECTOR+NOZZLE KIT		0	0	
015	3.753.0100	12.6	2	1	METAL HOSE 2MT.COMPLETE OF 2 CONNECTIONS		0	0	
016	3.753.0009	5.2	4	3	STEEL PIPE D.36 L.491	6.205.0109	11.25	2	KIT STEEL EXTENSION TUBES
017	4.012.0226	9.33	3	1	CABLE H05VV-F 2X0,75 MT.3 SP.SCHUKO		0	0	
018	7.300.0396	0	1	1	INSTRUCTION MANUAL ASHley 1000PRO		0	0	
019	3.752.0199	10	3	1	WASHABLE FILTER EXTERNAL NET FOR ASHley 800	5.212.0047	13.11	2	KIT 1 WASHABLE FILTER X ASHLEYAND GT
020	4.208.0359	2.29	9	1	LOCKING DISC FOR VACUUM FILTER		0	0	
021	3.752.0238	11.44	2	1	ADDITIONAL FILTER BAG	5.212.0096	13.11	2	KIT DOPPIO FILTRAGGIO ASPIRAC./ASP.TESTATA

8.230.0009	R82300009-1	VACUUM CLEANER
-------------------	--------------------	-----------------------

