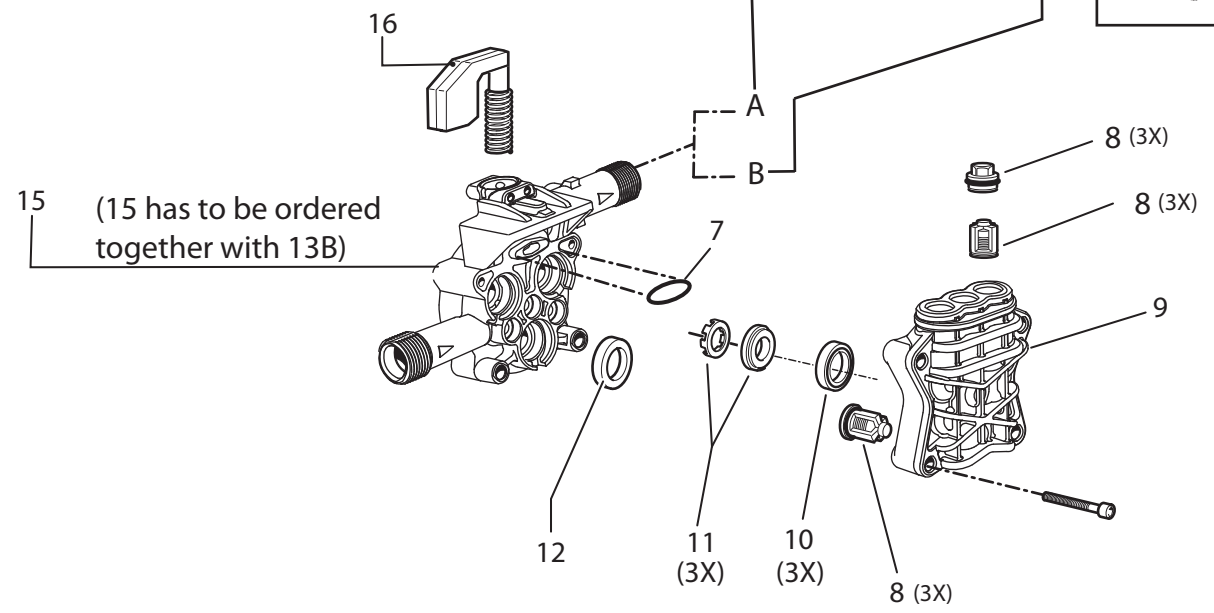
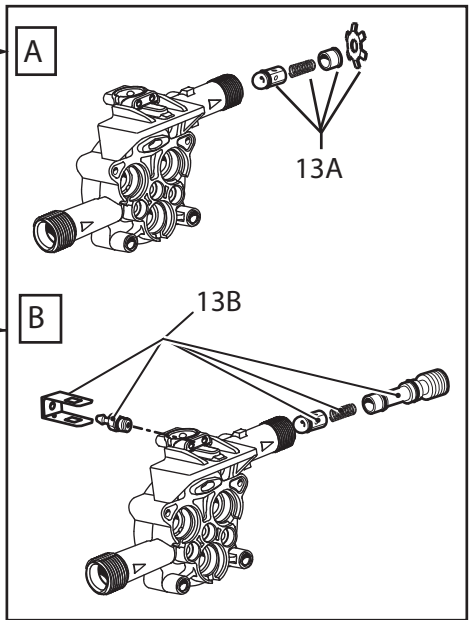
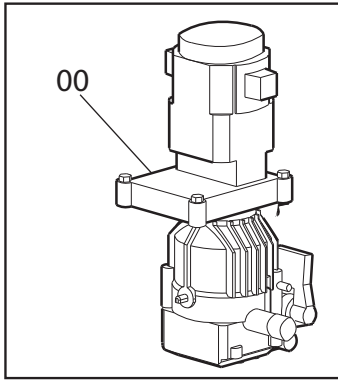
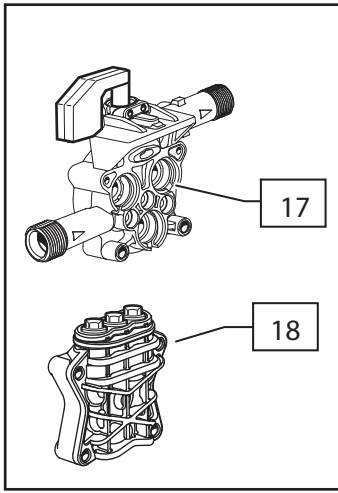
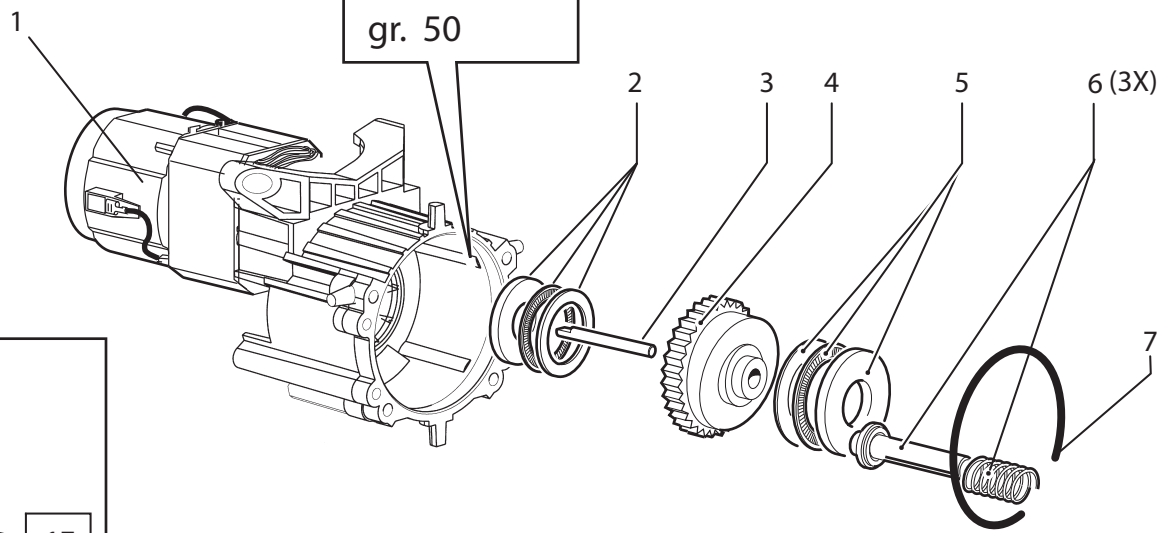


OIL:  
SAE 15/W40  
gr. 50



# LISTA RICAMBI

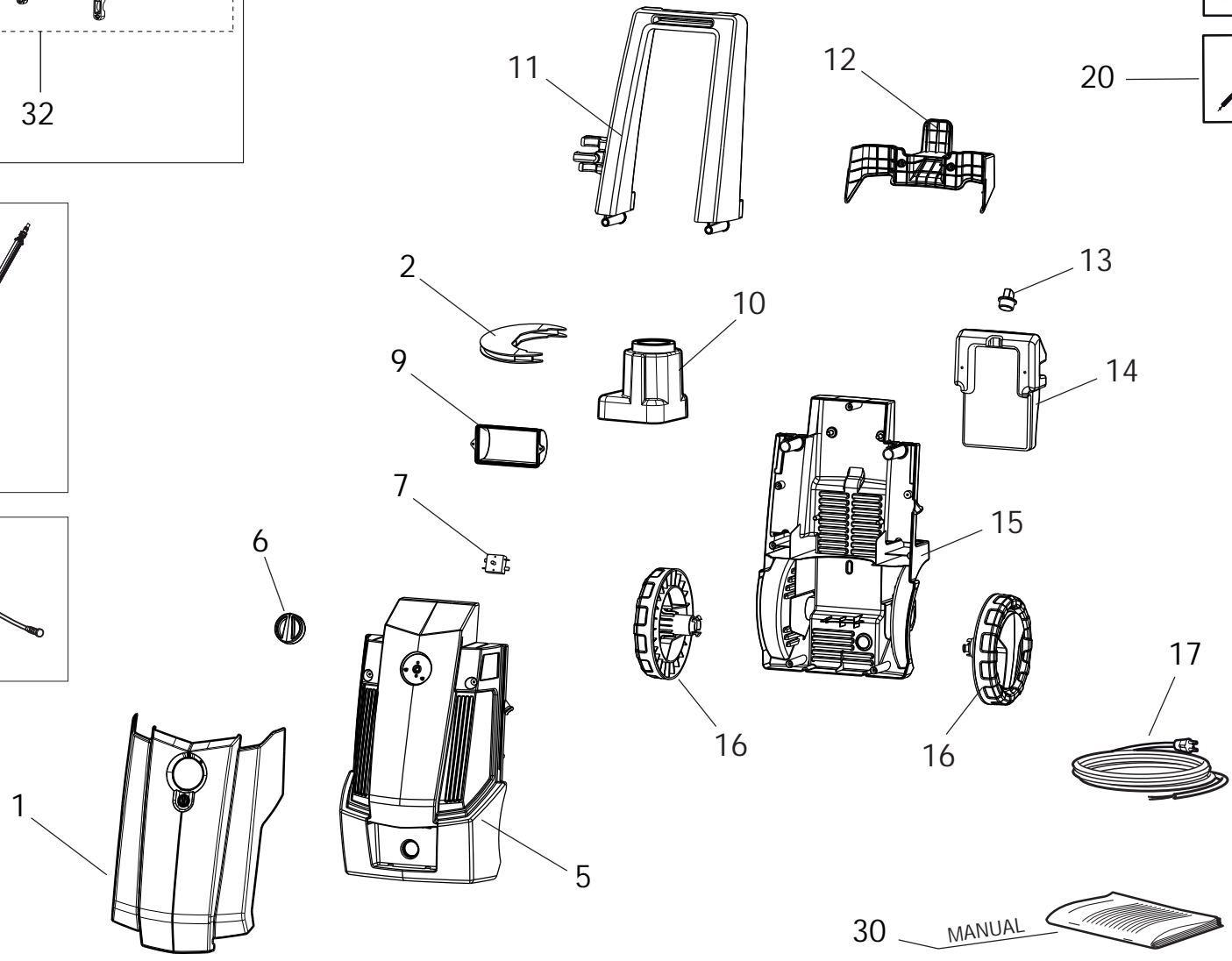
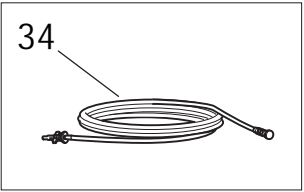
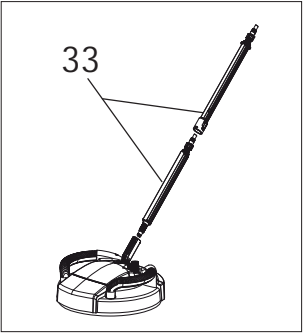
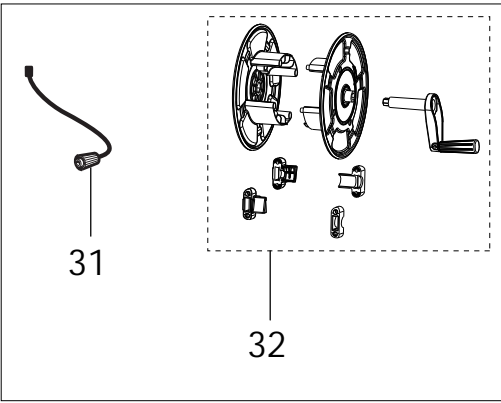
CODICE: 8.097.0001C      REV.: 1      DESCRIZIONE: IDRO PRIME 155 220-240/50-60 -N/GR- TS EU 2L  
+SP.ROT.+SP.PAV. LWS


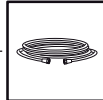








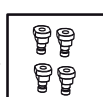
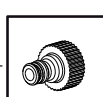
DATA INIZIO VAL.: 06/25/2013      DATA FINE VAL.: 01/01/3000

CODICE GRUPPO: R50010750C      REV.: 1      DESCRIZIONE: MOTOP.SPAZZ.PT'03 230/50 7'10 TS C/ASP. M.13KG  
TEST.T.FIL.SEDE PL.(8850)

DATA INIZIO VAL.: 10/10/2013      DATA FINE VAL.: 01/01/3000      N. TAVOLA: E50010750C/01

CODICE:	DESCRIZIONE:	QTA':	POS:	ORD	EXTR.
5.001.0750C	MOTORPUMP PT'03 230/50 7'10 TS W/SUCT.-S.13KG- THREAD CAPS HEAD(8850)-C-	1	00		
5.009.0582	BRUSH MOTOR '03 230/50 WITH CAPACITOR (8850)	1	01		
6.005.0180	KIT 166 FOOTSTEP BEARING 3047 PT' 03-SD	1	02		X
4.007.0205	PIN 10X70	1	03		X
5.009.0742	7'10 WOBBLE PLATE ASSEMBLY W/CROWNZ 50 (PT'03)	1	04		
4.007.0328	THRUST BEARING 35X55X12 PT'03	1	05		X
6.005.0181	KIT 167 LW PISTON	1	06		X
6.005.0226	KIT 209 O-RING	1	07	X	
6.005.0449	KIT 379 LW HEAD VALVE KIT +CAPS PT'03	1	08		X
4.005.0296	PT'03 HEAD WITH THREAD FOR VALVE CAPS	1	09		
6.005.0133	KIT 124 O-RING WATER SEAL PARTNER D.12	1	10	X	
6.005.0282	KIT 257 O-RING SEAL	1	11		
6.005.0079	KIT 79 LW OIL SEALS	1	12	X	
6.005.0283	KIT 258 CHEMICAL INJECTOR 1,7 PT'03C	1	13B		X
4.005.0263C	PISTON BODY GUIDE PT'03 WITH SUCTION VALVE	1	15		
5.009.0716	COMPLETED VALVE TS PT'03 CABLE L=530 SPRING 13KG (WHITE FASTON COVER)	1	16		X
5.007.0187C	PISTON BODY GUIDE PT'03 WITH TS/COMP.VALVE/SPRING 13KG/SUCTION -C-	1	17		
5.008.0278C	PT'03 HEAD D.12 WITH THREAD CAPS-PLASTIC CHECK VALVE SEATS	1	18		



- 18 — 
- 19 — 
- 20 — 
- 21 — 
- 22 — 
- 23 — 
- 24 — 
- 25 — 
- 26 — 
- 27 — 
- 28 — 
- 29 — 

30 — MANUAL 

# LISTA RICAMBI

CODICE: 8.097.0001C      REV.: 1      DESCRIZIONE: IDRO PRIME 155 220-240/50-60 -N/GR- TS EU 2L  
+SP.ROT.+SP.PAV. LWS

DATA INIZIO VAL.: 06/25/2013      DATA FINE VAL.: 01/01/3000

CODICE GRUPPO: R80970001C      REV.: 1      DESCRIZIONE: CHASSIS

DATA INIZIO VAL.: 06/25/2013      DATA FINE VAL.: 01/01/3000      N. TAVOLA: E8097C001/01

CODICE:	DESCRIZIONE:	QTA':	POS:	ORD	EXTR.
4.008.1467	GREY FRONT COVER VERTIGO RAL.7005 WITH TAMPOPRINTING LAVOR	1	01		
4.008.1539	UNIVERSAL MOTOR ADAPTOR PRIME	1	02		
4.013.0640	BLACK FRONT SIDE CABINET VERTIGO	1	05		
4.008.1432	BLACK SWITCH KNOB	1	06		
3.401.0202	ROTARY SWITCH TWO GEARS BIPOLAR 16A (0-1)	1	07		X
4.008.1437	BLACK COVER FOR ELECTRICAL BOX VERTIGO	1	09		
4.008.0721	DX MOTOR CONVEYER	1	10		
4.008.1425	HANDLE FOR VERTIGO	1	11		
4.008.1614	GREY CABLE REEL VERTIGO RAL.7046 (PANT.430C)	1	12		
4.008.0095	BLACK DETERGENT TANK CAP WITH HOLE D.9	1	13		
4.008.1431	TANK FOR VERTIGO	1	14		
4.013.0639	BLACK BACK SIDE CABINET VERTIGO	1	15		
4.008.1433	BLACK WHEEL VERTIGO	2	16		X
4.012.0174	CABLE H05VV-F 2X1 MT.5,4 F/F SCHUKO PLUG	1	17		
6.001.0073	GUN S'09 WITH INTEGRAL QUICK JOINT LAVOR	1	18		X
4.018.0096	HOSE 1/4 160BAR L=8000 M22x1,5 D.15-RAPID FIX	1	19		X
6.002.0340	LANCE S'12 WITHOUT NOZZLE HEAD WITH QUICK COUPLING/COGETIL	1	22		X
6.002.0343	NOZZLE HEAD LANCE S'12 D.1,00 WITH QUICK COUPLING	1	23		
6.002.0346	ROTOX NOZZLE HEAD LANCE S'12 D.1,025 WITH QUICK COUPLING	1	24		
3.601.0035	ROTATING HYDRO BRUSH WITH HANDLE	1	26		
3.100.0082	QUICK COUPLING INLET CONNECTOR	1	29		
7.100.1909	INSTRUCTION MANUAL PRIME LAVOR	1	30		
6.005.0450	HOSE REEL KIT PRIME	1	32		
3.601.0102	YELLOW/BLACK FLOOR BRUSH WITH EXTENSION (D.1,2)	1	33		