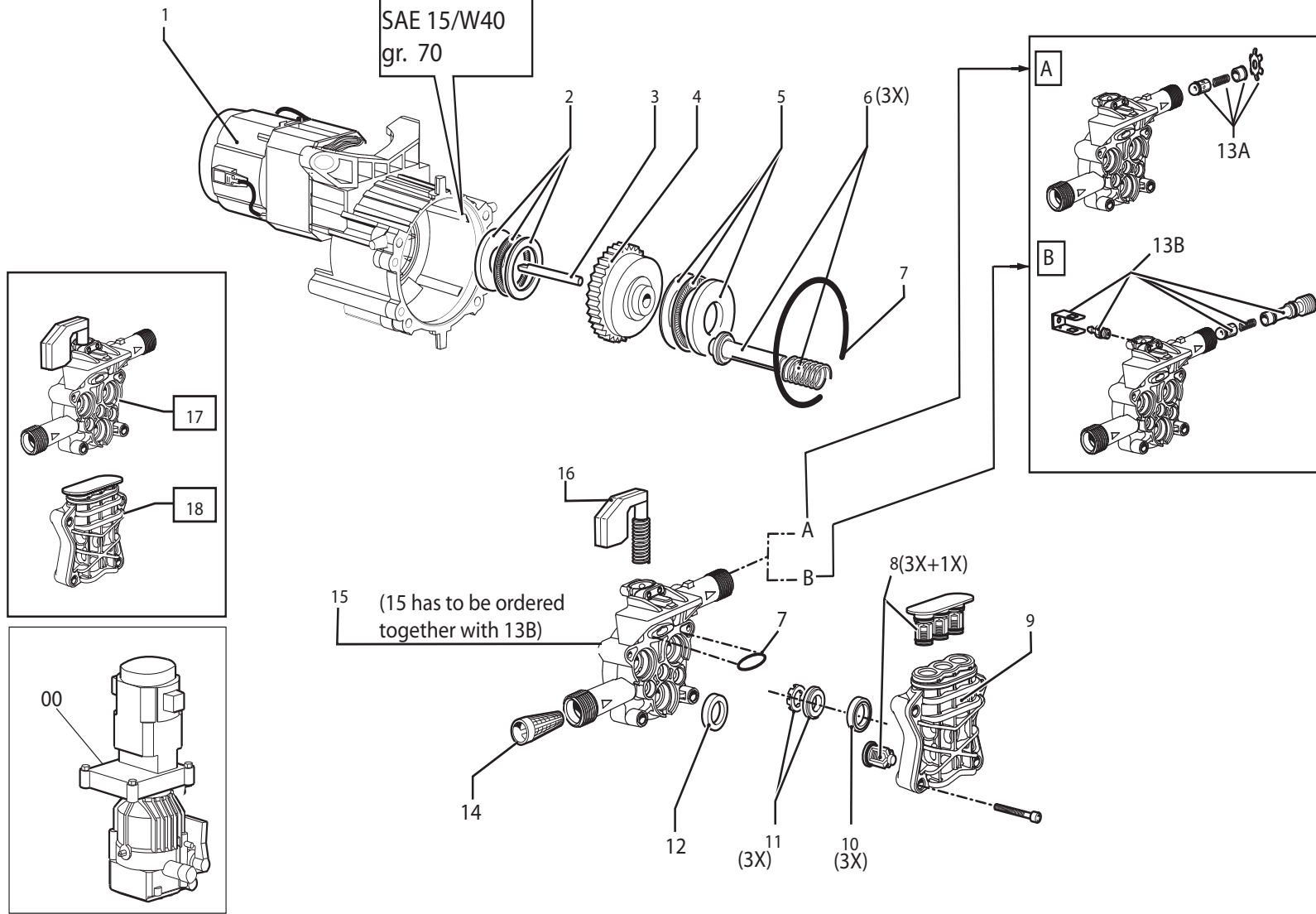


OIL:
SAE 15/W40
gr. 70



LISTA RICAMBI

CODICE: 8.082.0014 REV.: 1 DESCRIZIONE: IDRO STORM II 19 COMPRESSOR 220-240/50-60 -G/N-
TS EU 2L (20L) LWS

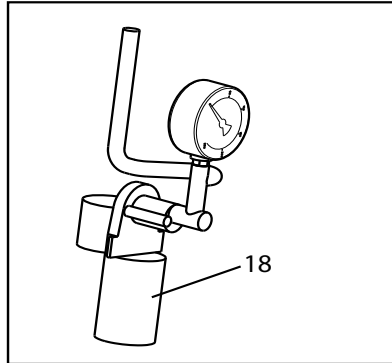
DATA INIZIO VAL.: 07/08/2010 DATA FINE VAL.: 01/01/3000

CODICE GRUPPO: R50010645C REV.: 1 DESCRIZIONE: MOTORPUMP

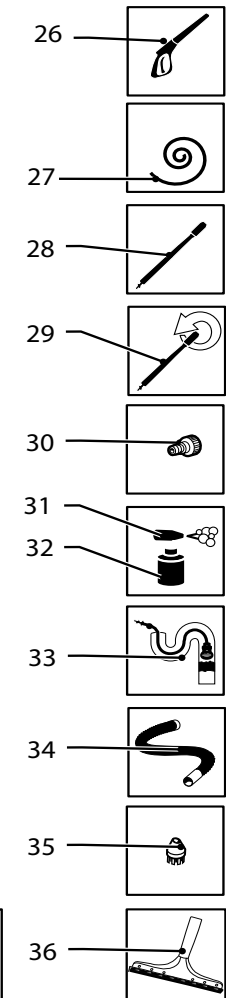
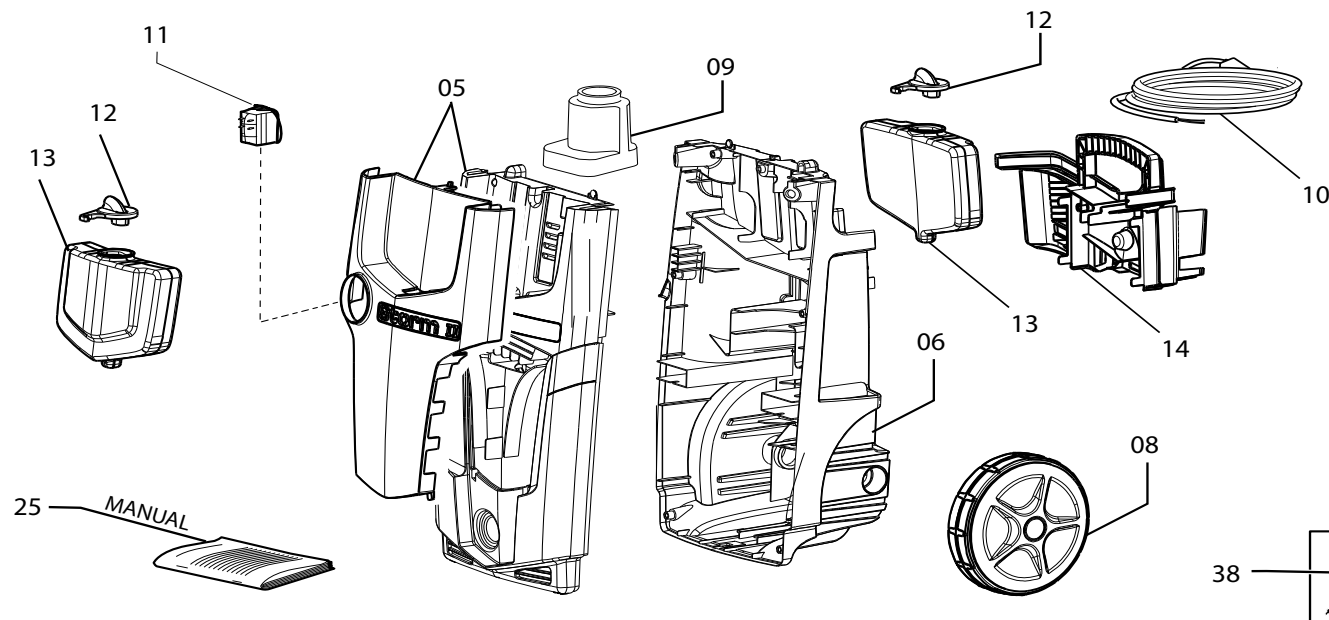
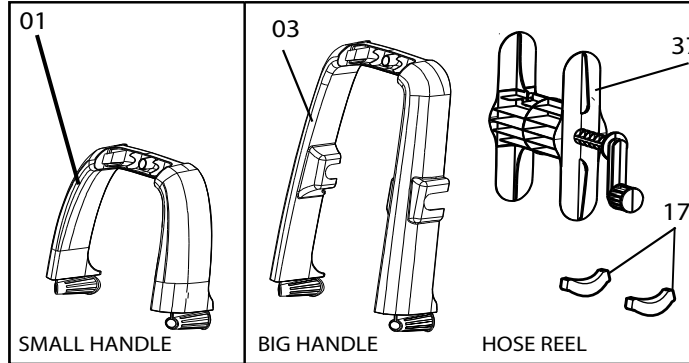
DATA INIZIO VAL.: 11/19/2009 DATA FINE VAL.: 01/01/3000 N. TAVOLA: E50010014/06

CODICE:	DESCRIZIONE:	QTA':	POS:	RIF1:	RIF2:
5.001.0645C	MOTORPUMP	1	00		
5.009.0729	UNIV.MOTOR 230/50+PINION CABLE L=600 WITH CAPACITOR (7645AF)	1	01		
6.005.0311	THRUST RING KIT	1	02		
4.007.0205	PIN 10X70	1	03		
5.009.0726	5'30 PLATE ASSEMBLY W/CROWN Z 62	1	04		
4.007.0328	THRUST BEARING 35X55X12 PT'03 REV.03	1	05		
6.005.0181	KIT 167 LW PISTON	1	06		
6.005.0226	KIT 209 O-RING	1	07		
6.005.0184	KIT 170 LW HEAD VALVE KIT	1	08		
4.005.0210	'03 PARTNER HEAD REV.11	1	09		
6.005.0133	KIT 124 O-RING WATER SEAL PARTNER D.12	1	10		
6.005.0134	KIT 125 O-RING SEAL	1	11		
5.009.0705	DETERGENT SUCTION COMPLETE KIT	1	13		
4.008.0031	INLET WATER FILTER H2O D.16 CONICAL	1	14		
5.009.0680	COMPENSATED VALVE WITH TS X PT '03 CABLE L=530 SPRING 9 KG	1	16		
5.007.0229	PISTONS BODY GUIDE	1	17		
5.008.0182	'03 PARTNER HEAD D.12	1	18		

COMPRESSOR MODULE



MODELS



LISTA RICAMBI

CODICE: 8.082.0014 REV.: 1 DESCRIZIONE: IDRO STORM II 19 COMPRESSOR 220-240/50-60 -G/N-
TS EU 2L (20L) LWS

DATA INIZIO VAL.: 07/08/2010 DATA FINE VAL.: 01/01/3000

CODICE GRUPPO: R80820014 REV.: 1 DESCRIZIONE: CHASSIS

DATA INIZIO VAL.: 07/08/2010 DATA FINE VAL.: 01/01/3000 N. TAVOLA: E8082C002/01

CODICE:	DESCRIZIONE:	QTA':	POS:	RIF1:	RIF2:
5.011.0098	SMALL HANDLE	1	01		
5.011.0101	FRONT PLASTIC COVER	1	05		
4.013.0555	REAR BLACK COVER	1	06		
6.005.0309	WHEELS KIT	1	08		
4.008.1172	AIR CONVEYOR FOR U76 -C- REV.03	1	09		
4.012.0174	CABLE H05VV-F 2X1 MT.5,4 F/F SCHUKO PLUG REV.03	1	10		
3.401.0112	BIPOLAR SWITCH 1-0-2 B419C11200+C BLACK	1	11		
4.008.1151	BLACK CAP FOR TANK P80.0425 (STORM II)	1	12		
4.008.1150	NEUTRAL TANK P80.0425 (STORM II)	1	13		
4.008.1144	BLACK REAR HANDLE (STORM II P80.0425)	1	14		
5.011.0123	COMPLETE COMPRESSOR	1	18		
7.100.1553	INSTRUCTION MANUAL	1	25		
6.001.0073	GUN S'09 WITH INTEGRAL QUICK JOINT LAVOR	1	26		
4.018.0094	HOSE 1/4 130BAR L=4000 M22x1,5 D.15-RAPID FIX WITH SPIRAL SLEEVE REV.02	1	27		
6.002.0215C	LANCE S'99 1.025 H/L	1	28		
6.002.0329	ROTOX LANCE S01 CONICAL HEAD 1,025 (BLACK) L=470 REV.00	1	29		
3.100.0082	QUICK COUPLING INLET CONNECTOR	1	30		