

# LISTA RICAMBI

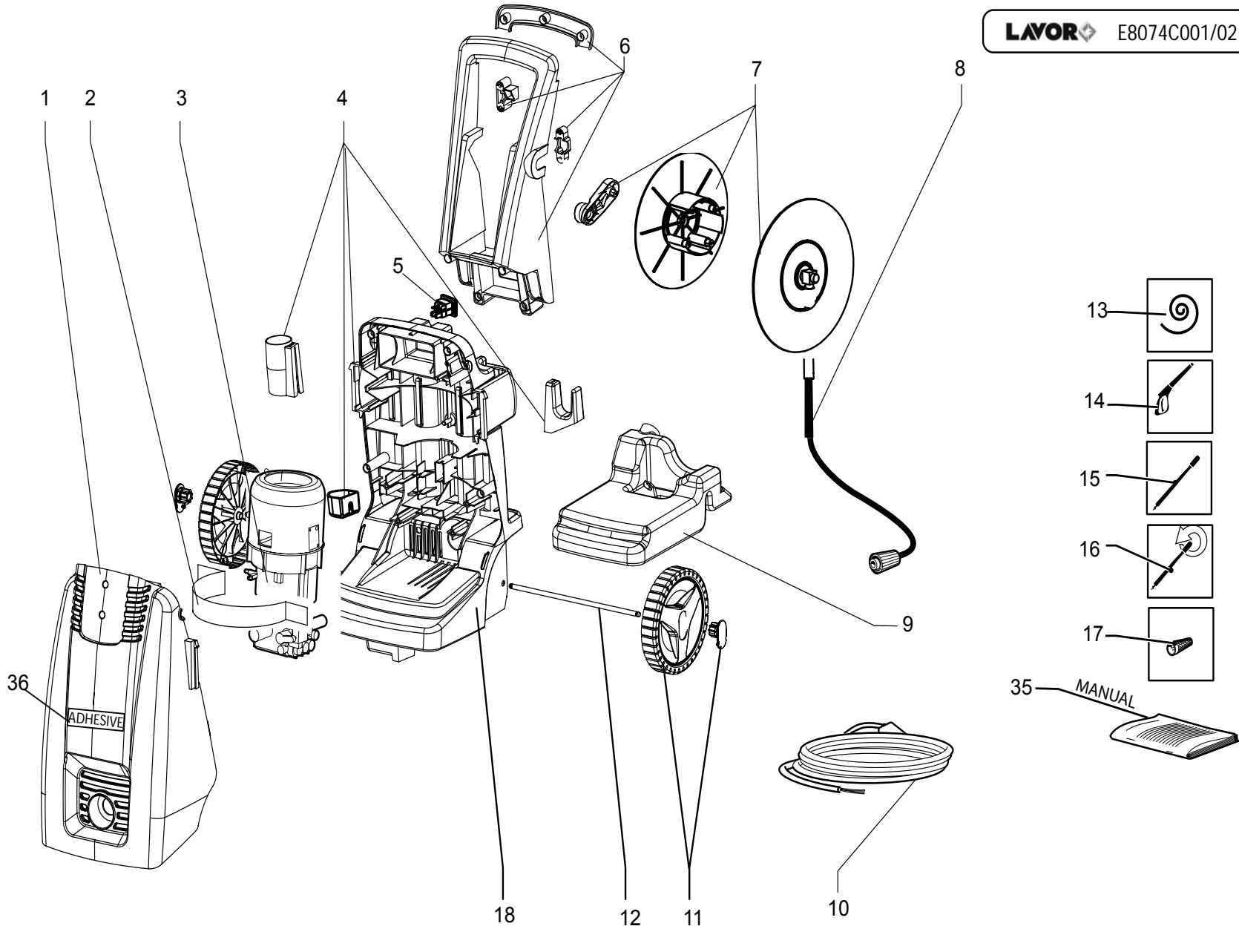
CODICE: 8.074.0702 REV.: 1 DESCRIZIONE: IDRO EXTRA 30 230/50 -G/GR- TS EU 2L +SP.FIX LWS

DATA INIZIO VAL.: 03/08/2010 DATA FINE VAL.: 01/01/3000

CODICE GRUPPO: R50010661 REV.: 1 DESCRIZIONE: MOTORPUMP

DATA INIZIO VAL.: 03/08/2010 DATA FINE VAL.: 01/01/3000 N. TAVOLA: E50010015/07

CODICE:	DESCRIZIONE:	QTA':	POS:	RIF1:	RIF2:
5.001.0661	MOTORPUMP	1	00		
3.404.0016	CAPACITOR 45 mF 450V D.50X9 0 ESP. 01	1	01		
4.008.0583	MOTOR FAN COVER '96 WITHOUT GRILL	1	07		
5.X09.0587	ANTERIOR FLANGE x PT'03 D.125.	1	08		
6.005.0251	KIT 168 LW RING+FAN	1	09		
3.001.0020	RADIAL FOR POSTERIOR FLANGE 17X40X12 6203 2RS	1	11		
4.X05.0226	FRONT FLANGE MOTOR D.125h100 P T'03 LAV.WITH/THREAD ESP.03	1	14		
3.201.0001	OIL SEAL 20/35/6/6,5 BBSL	1	15		
3.001.0031	ANTERIOR RADIAL FOR CASING 20X 52X15 - 6304	1	16		
4.005.0225	INCLINATED PLATE 12 DEGREE X PT'03 REV.01	1	17		
4.007.0328	THRUST BEARING 35X55X12 PT'03 REV.03	1	19		
6.005.0181	KIT 167 LW PISTON	1	20		
6.005.0226	KIT 209 O-RING	1	22		
6.005.0183	KIT 169 LW INJECTOR 1,7	1	24		
6.005.0079	KIT 79 LW OIL SEALS	1	25		
6.005.0184	KIT 170 LW HEAD VALVE KIT	1	26		
4.005.0279	HEAD	1	27		
6.005.0133	KIT 124 O-RING WATER SEAL PARTNER D.12	1	28		
6.005.0134	KIT 125 O-RING SEAL	1	29		
4.005.0211	PISTON BODY GUIDE PT'03 ESP00	1	30		
5.009.0624	99'MOTOR ASSEMBLY D.125H100 23 0/50 2P	1	31		
5.007.Z203	GUIDE BODY PT03 PIST.D.12	1	32		
5.008.0240	HEAD ASSEMBLY	1	33		
5.Y09.0596	COMPLETE VALVE TS PT'03 CABLE L=510 (SPRING 17kg)	1	34		



# LISTA RICAMBI

CODICE: 8.074.0702 REV.: 1 DESCRIZIONE: IDRO EXTRA 30 230/50 -G/GR- TS EU 2L +SP.FIX LWS

DATA INIZIO VAL.: 03/08/2010 DATA FINE VAL.: 01/01/3000

CODICE GRUPPO: R80740702 REV.: 1 DESCRIZIONE: CHASSIS

DATA INIZIO VAL.: 03/08/2010 DATA FINE VAL.: 01/01/3000 N. TAVOLA: E8074C001/02

CODICE:	DESCRIZIONE:	QTA':	POS:	RIF1:	RIF2:
4.013.0588	FRONT YELLOW COVER	1	01		
4.007.0308	FIXING MOTOP. BAND MACHD.125 E SP.02	1	02		
5.001.0651	MOTORPUMP PT'03 110h100 230-24 0/50 D.12 9'35 TS IN 1.78MACH	1	03		
6.005.0323	ACCESSORY HOLDER KIT	1	04		
5.009.0213	SWITCH WITH PROTECTION 16(8) 12(10)	1	05		
6.005.0237	KIT 220 HANDLE RUNNER	1	06		
6.005.0233	KIT 216 LW	1	07		
4.018.0099	HOSE L=770	1	08		
5.011.0084	TANK COMPLETE MACH BLACK + TAP	1	09		
4.012.0150	CABLE H05VV-F 3X1.5 MT.5.2 F/F SCHUKO PLUG ESP.00	1	10		
6.005.0324	WHEELS KIT	1	11		
4.007.0290	FIXING AXLE FOR WHEEL	1	12		
4.018.0100	HOSE L=8000	1	13		
6.001.0075	GUN S'01D	1	14		
6.002.0184	SY'99 1.10 LANCE -GREEN	1	15		
6.X02.0222	ROTOX BRASS LANCE S97 1,10 (YE LLOW)	1	16		
4.008.0031	INLET WATER FILTER H2O D.16 CONICAL	1	17		
4.008.0986	BACK COVER MACH FOR WHEELS D.1 80	1	18		
3.601.0033	FIX BRUSH AND ADAPT.REINFORCED COGETIL	1	19		
7.100.1616	INSTRUCTION MANUAL	1	35		