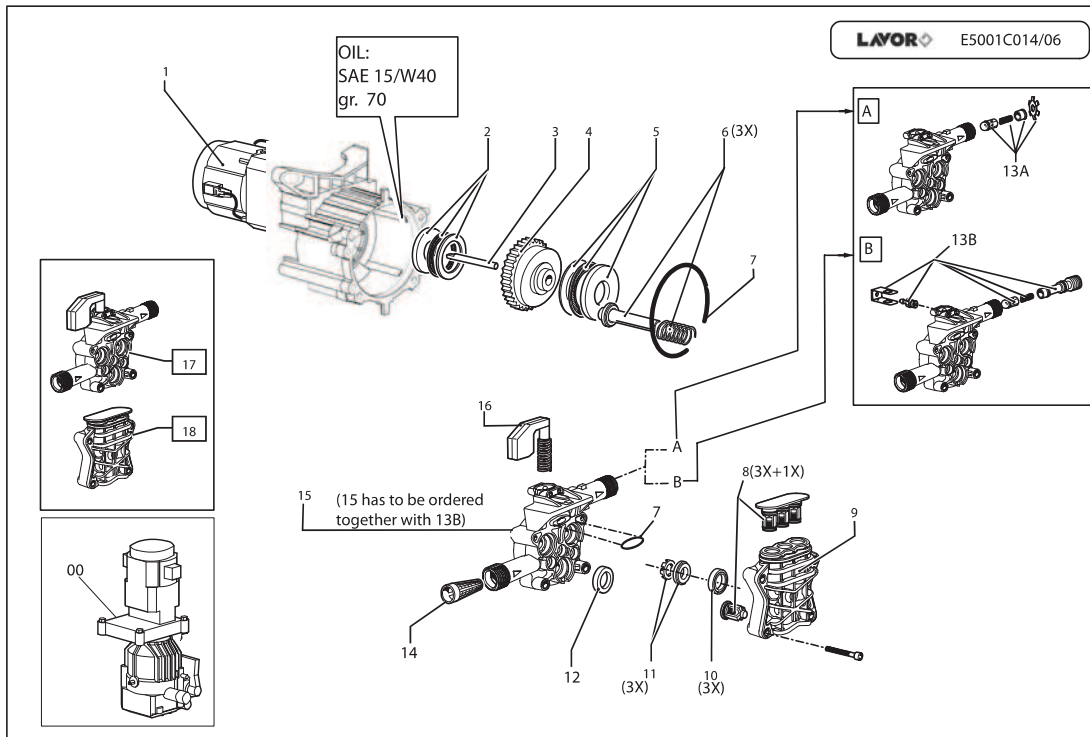


PARTS LIST

Code R80720620C-1
Description CHASSIS

Start Date 15/10/2009
End Date 1/1/3000
Table E8071C002-01

Pos.	Code	Price	Q.ty per pck.	Qty.	Description	Alternative	Price	G
000	5.001.0644C	60	1	1	MOTORPUMP PT'03 230/50 TS 5'30SPRING 9KG (7645AF)		0	0
001	4.013.0499	20.55	2	1	LEFT AND RIGHT PLASTIC COVER	4.013.0543	25	1
002	4.008.1004	7.57	3	1	HANDLE FOR TROLLEY POWER		0	0
003	5.009.0213	9.84	3	1	SWITCH WITH PROTECTION 16(8) 12(10)		0	0
004	4.012.0174	8.05	3	1	CABLE H05VV-F 2X1 MT.5,4 F/F SCHUKO PLUG REV.02		0	0
005	4.008.0031	1	25	1	INLET WATER FILTER H2O D.16 CONICAL		0	0
007	4.008.1005	1.01	23	1	SUPPORT FOR TROLLEY HANDLE POWER		0	0
008	6.005.0241	6.18	4	2	WHEELS KIT		0	0
009	4.008.1172	2.53	9	1	AIR CONVEYOR FOR U76 -C- REV.03		0	0
010	4.008.1002	14.06	2	1	BASE FOR TROLLEY POWER		0	0
011	4.018.0094	14	2	1	HOSE 1/4 130BAR L=4000 M22x1,5D.15-RAPID FIX WITH SPIRAL SL		0	0
012	6.001.0073	29	1	1	GUN S'09 WITH INTEGRAL QUICK JOINT LAVOR		0	0
016	6.002.0263	7.15	4	1	LANCE		0	0
017	6.002.0329	22.15	2	1	ROTOX LANCE S01 CONICAL HEAD 1,025 (BLACK) L=470 REV.00		0	0
019	3.601.0033	11.36	2	1	FIX BRUSH AND ADAPT.REINFORCEDCOGETIL		0	0
020	3.601.0035	34.63	1	1	ROTATING HYDRO BRUSH WITH HANDLE	3.601.0074	16.12	2
021	5.011.0033	8.6	3	1	REINFORCED FOAM LANCE		0	0
022	3.601.0002	1.02	23	1	YELLOW ANONYM.TANK DETERGENT FOR FOAM LANCE		0	0



PARTS LIST

Code R50010644C-1
Description MOTORPUMP

Start Date 15/10/2009
End Date 1/1/3000
Table E50010014-06

Pos.	Code	Price	Q.ty per pck.	Qty.	Description	Alternative	Price	G
000	5.001.0644C	60	1	1	MOTORPUMP PT'03 230/50 TS 5'30SPRING 9KG (7645AF)		0	0
001	5.009.0729	50	1	1	UNIV.MOTOR 230/50+PINION CABLEL=600 WITH CAPACITOR		0	0
002	6.005.0311	4.2	6	1	THRUST RING KIT		0	0
003	4.007.0205	4.2	6	1	PIN 10X70		0	0
004	5.009.0726	4.7	5	1	5'30 PLATE ASSEMBLY W/CROWN Z62		0	0
005	4.007.0328	7.51	3	1	THRUST BEARING 35X55X12 PT'03REV.03		0	0
006	6.005.0181	16.17	2	1	KIT 167 LW PISTON		0	0
007	6.005.0226	13.7	2	1	KIT 209 O-RING		0	0
008	6.005.0184	9.79	3	1	KIT 170 LW HEAD VALVE KIT		0	0
009	4.005.0210	10.69	3	1	'03 PARTNER HEAD REV.11		0	0
010	6.005.0133	7	4	1	KIT 124 O-RING WATER SEAL PARTNER D.12		0	0
011	6.005.0134	7.31	4	1	KIT 125 O-RING SEAL		0	0
014	4.008.0031	1	25	1	INLET WATER FILTER H2O D.16 CONICAL		0	0
015	5.009.0676	15.14	2	1	ASSEMBLY BODY GUIDE		0	0
016	5.009.0680	16.59	2	1	COMPENSATED VALVE WITH TS X PT'03 CABLE L=510 SPRING 9 KG		0	0
017	5.007.0192	57.1	1	1	GUIDE BODY PARTNER'03 PISTON D.12 W/TS-WOUT/VACUUM-		0	0
018	5.008.0182	19.14	2	1	'03 PARTNER HEAD D.12		0	0