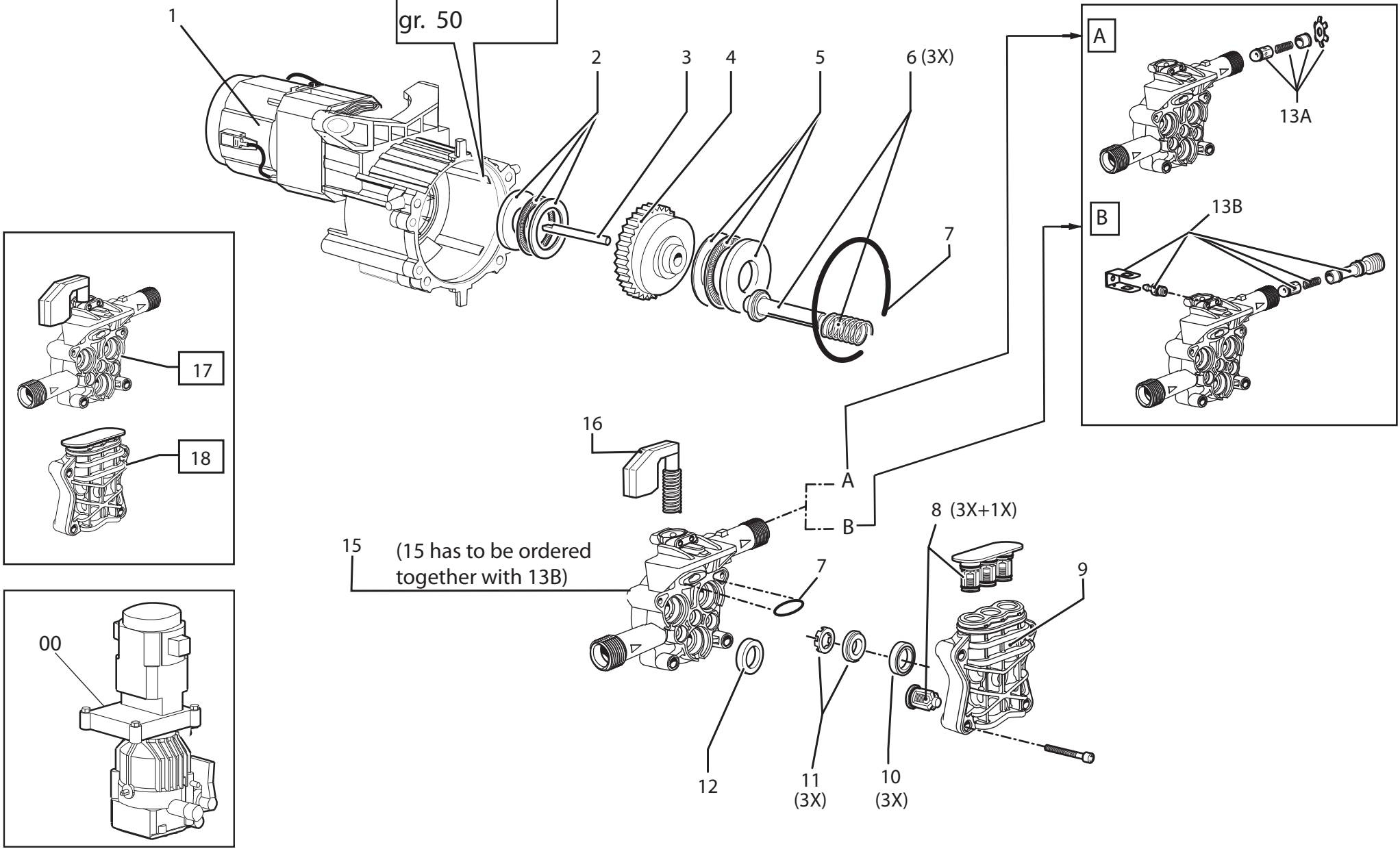


OIL:
SAE 15/W40
gr. 50



LISTA RICAMBI

CODICE: 8.086.0076C

REV.: 1

DESCRIZIONE:

**IDRO GALAXY 160 230/50-60 -G/N- TS EU 2L
C/AVV.+2SP.+SP.PAV.L28 LWS**

DATA INIZIO VAL.: 05/07/2014

DATA FINE VAL.: 01/01/3000

CODICE GRUPPO: R50010554C

REV.: 3

DESCRIZIONE:

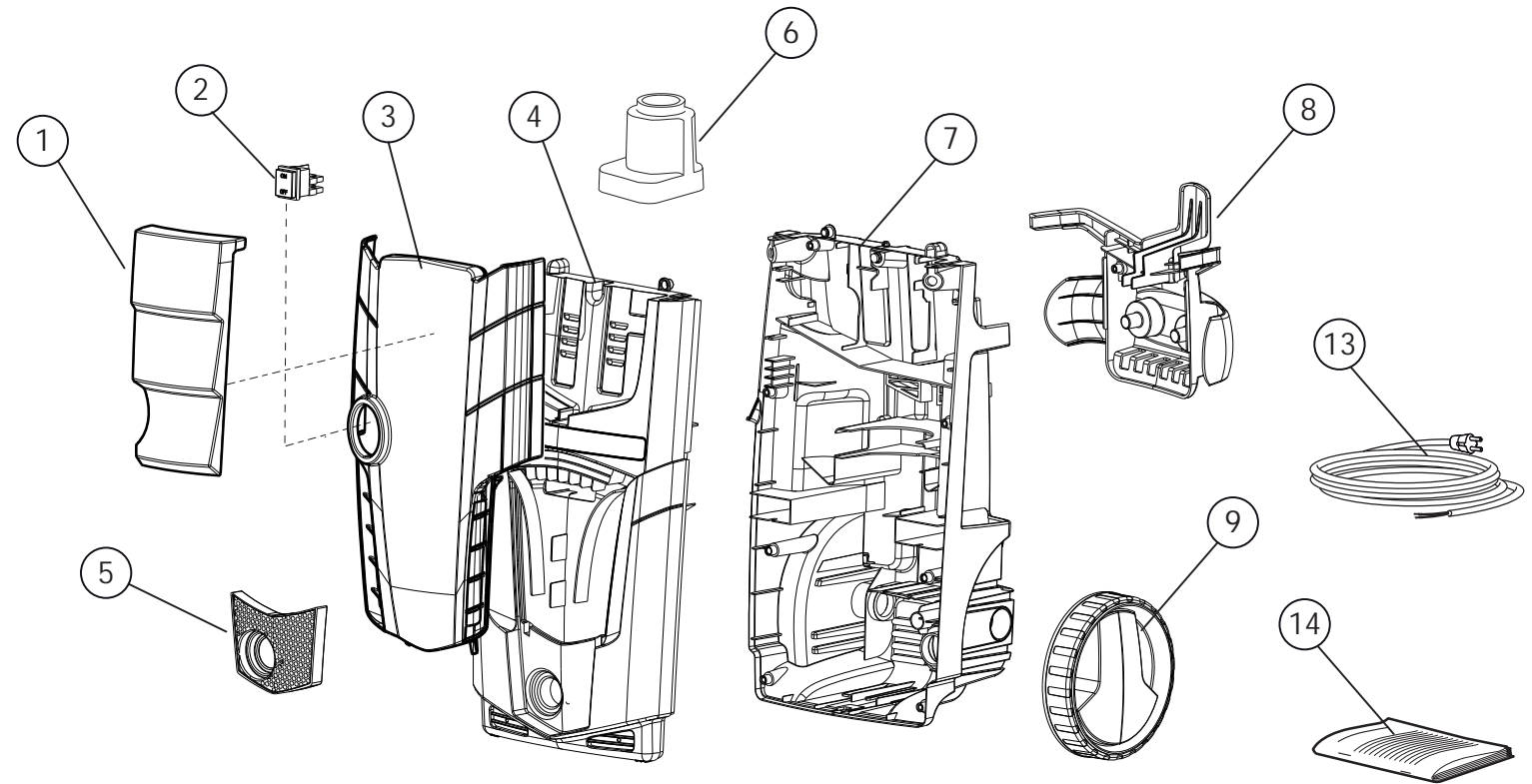
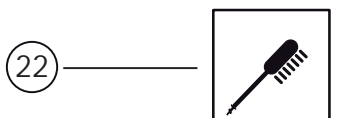
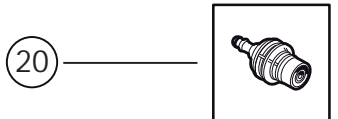
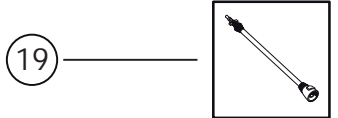
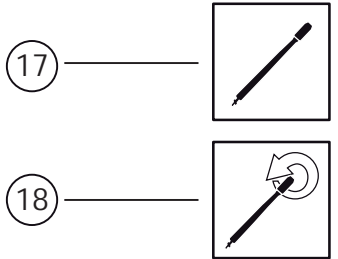
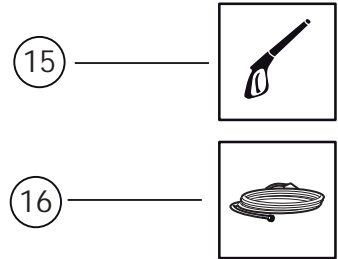
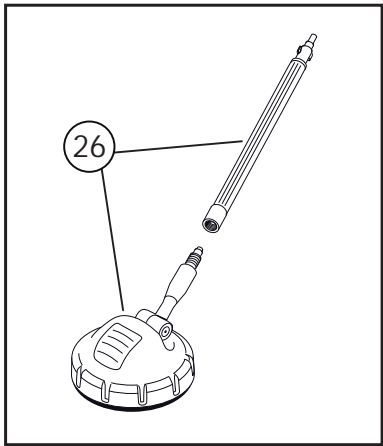
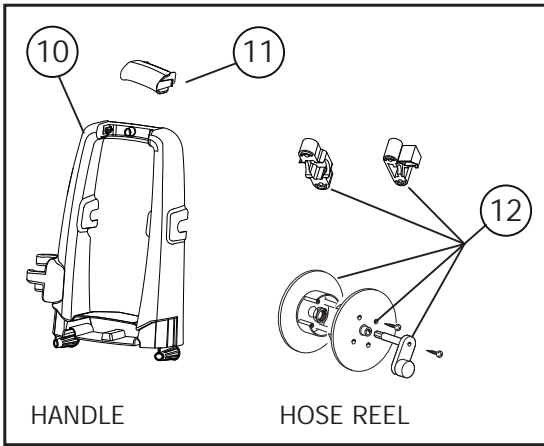
MOTORPUMP

DATA INIZIO VAL.: 09/10/2012

DATA FINE VAL.: 01/01/3000

N. TAVOLA: E50010014/15

CODICE:	DESCRIZIONE:	QTA':	POS:	ORD	EXTR.
5.001.0554C	MOTORPUMP PT'03 230/50 COMP.VALVE 7'10 TS SPRING 13KG (8850) -C-	1	00		
5.009.0582	BRUSH MOTOR '03 230/50 WITH CAPACITOR (8850)	1	01		
6.005.0180	KIT 166 FOOTSTEP BEARING 3047 PT' 03-SD	1	02		X
4.007.0205	PIN 10X70	1	03		
5.009.0742	7'10 WOBBLE PLATE ASSEMBLY W/CROWNZ 50 (PT'03)	1	04		
4.007.0328	THRUST BEARING 35X55X12 PT'03	1	05		X
6.005.0181	KIT 167 LW PISTON	1	06		X
6.005.0226	KIT 209 O-RING	1	07	X	
6.005.0184	KIT 170 LW HEAD VALVE KIT	1	08		X
4.005.0210	'03 PARTNER HEAD	1	09		
6.005.0133	KIT 124 O-RING WATER SEAL PARTNER D.12	1	10	X	
6.005.0282	KIT 257 O-RING SEAL	1	11		
6.005.0079	KIT 79 LW OIL SEALS	1	12	X	
6.005.0281	KIT 256 VALVE GUIDE RID. W/O SUCTION PT'03C	1	13A		X
4.005.0234	PISTON BODY GUIDE PT'03 WITHOUT HOLE FOR SUCTION	1	15		
5.009.0716	COMPLETED VALVE TS PT'03 CABLE L=530 SPRING 13KG (WHITE FASTON COVER)	1	16		X
5.007.0192C	BODY GUIDE PT'03 WITH TS/COMP.VALVE/SPRING 13KG WITHOUT SUCTION	1	17		
5.008.0182C	PUMP HEAD PARTNER '03 D.12	1	18		



LISTA RICAMBI

CODICE: 8.086.0076C **REV.:** 1 **DESCRIZIONE:** IDRO GALAXY 160 230/50-60 -G/N- TS EU 2L
C/AVV.+2SP.+SP.PAV.L28 LWS

DATA INIZIO VAL.: 05/07/2014 **DATA FINE VAL.:** 01/01/3000

CODICE GRUPPO: R80860076C **REV.:** 1 **DESCRIZIONE:** CHASSIS

DATA INIZIO VAL.: 05/07/2014 **DATA FINE VAL.:** 01/01/3000 **N. TAVOLA:** E8086G160/01

CODICE:	DESCRIZIONE:	QTA':	POS:	ORD	EXTR.
4.008.1622	GREY FRONTAL COVER FOR GALAXY PANT.877C(metallic) -PAINTED- W/TAMP.LAVOR	1	01		
3.401.0178	SWITCH 0/1 BLACK BOTTON IP55 12/10	1	02		X
4.013.0691	YELLOW FRONT CABINET FOR GALAXY (PANT.108C)	1	03		
4.013.0556C	BLACK FRONT CABINET FOR STM (P80.0425)	1	04		
4.008.1310	GREY INLET COVER PANT.877C (metallic) PAINTED (STORM II PLUS P40.0473)	1	05		
4.008.0721	DX MOTOR CONVEYER	1	06		
4.008.1263	PROCESS BLACK C BACK CABINET STM (FOR UNIVERSAL MOTOR - P80.0502-U)	1	07		
4.008.1417	BLACK ACCESSORY HOLDER STORM STEAM B&S	1	08		
4.008.1311	PROCESS BLACK C/GREY PANT.877C(metallic)PAINTED COATED WHEEL STM/I-CLEAN	2	09		X
4.008.1266	BLACK HANDLE FOR HOSE REEL STM/I-CLEAN (P80.0502)	1	10		
4.008.1611	GREY COVER HANDLE STM/iCLEAN PANT.877C (metallic) -PAINTED-	1	11		
6.005.0353	HOSE REEL KIT STM	1	12		
4.012.0235	CABLE H05VV-F 2X1,5 length.5,4 SCHUKO	1	13		
7.100.1932	MANUAL GALAXY + CE LAVOR 27L A5 16F	1	14		
6.001.0073	GUN S'09 WITH INTEGRAL QUICK JOINT LAVOR	1	15		X
4.018.0096	HOSE 1/4 160BAR L=8000 M22x1,5 D.15-RAPID FIX	1	16		X
6.002.0340	LANCE S'12 WITHOUT NOZZLE HEAD WITH QUICK COUPLING/COGETIL	1	19		X
6.002.0342	NOZZLE HEAD LANCE S'12 D.0,95 (ORANGE) W/QUICK COUPLING (FIXED FAN JET)	1	20		X
6.002.0346	ROTOX NOZZLE HEAD LANCE S'12 D.1,025 WITH QUICK COUPLING	1	21		
3.601.0033	FIX BRUSH WITH ADAPT.REINFORCED COGETIL	1	22		
3.601.0035	ROTATING HYDRO BRUSH WITH HANDLE	1	23		
6.002.0259	FOAM SPRAYER WITH TRANSPARENT TANK	1	24		
3.100.0082	QUICK COUPLING INLET CONNECTOR	1	25		
3.601.0102	YELLOW/BLACK FLOOR BRUSH L28 WITH EXTENSION (D.1,2)	1	26		